

# Twig Bench

Modular Benches - Designed by Alexander Lotersztain

Materials: **Lightweight GFRC Concrete**

TWIG is a highly configurable modular seating system which promotes social interaction and a casual lifestyle. Currently available in lightweight GFRC Concrete, the possibilities are limited only by your imagination.

Part of a successful collaboration of Street & Garden Furniture and Derlot Editions, TWIG is already a best seller in Australia and throughout Europe. Tournesol Siteworks has been manufacturing TWIG in lightweight concrete in the U.S. since 2011. The TWIG can be found in universities, courtyards, corporate and public meeting places across the U.S.



- Highly configurable, provides seating for up to 4 - 5 people
- Available in all of our lightweight GFRC concrete colors with acid-etch finish
- Available with stainless steel skate stops
- Available with either external or concealed mounts

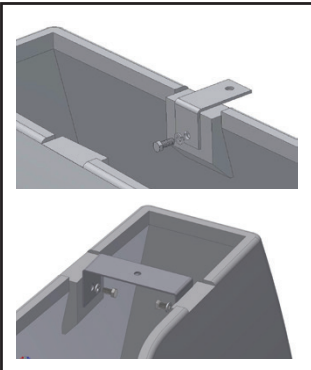


# Twig Bench

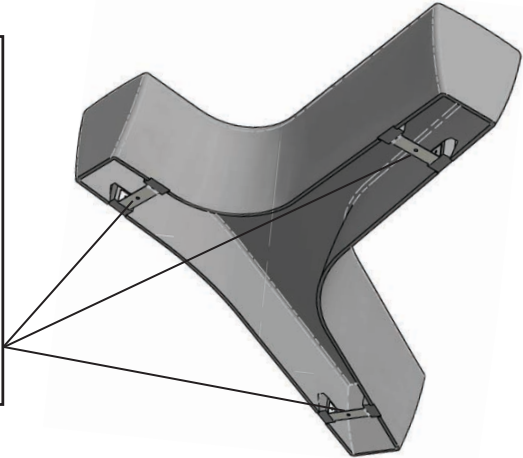
## Specifications

Part No.	Description	Size	Colors	Weight Lbs.
G-01	TWIG Bench, GFRC Concrete.	93-3/4" x 75-5/8", Seat 16-7/8"W x 17-1/2"H	Natural Concrete or Tournesol GFRC colors.	550-625 lbs.
G-SS	Skate Stops (7 per bench) when requested	3"W	NA	1

External mount bracket allows for direct adjustable anchoring.

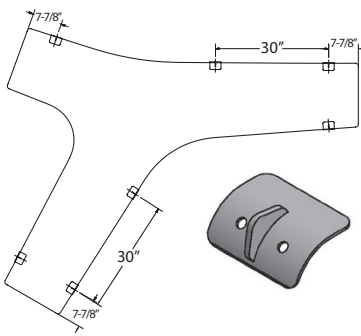
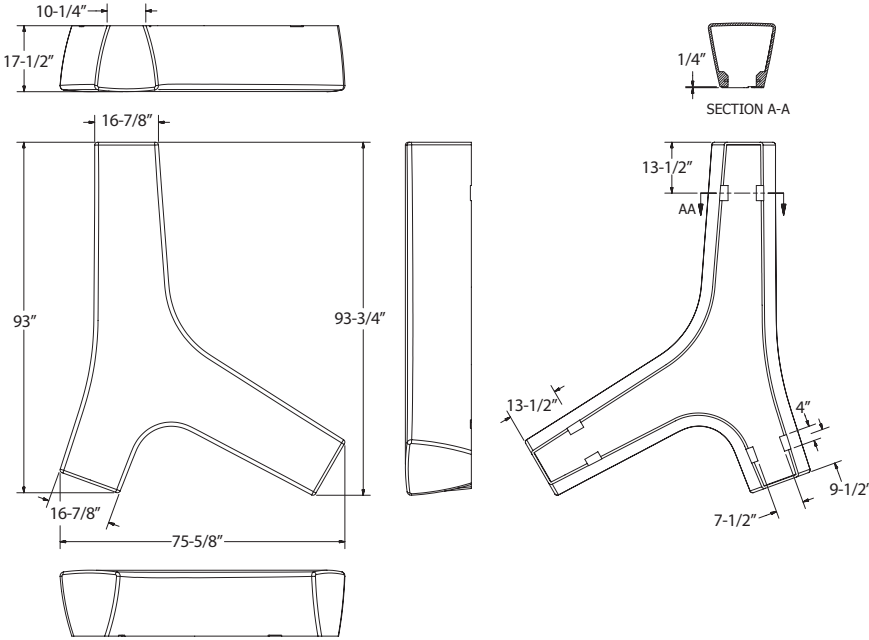


Concealed mount bracket keeps the bench in place with epoxy anchors. Template available for installation.





**Twig Bench**  
**Specifications**



Recommended Skate stop placement.  
 Skate stops ordered separately.

