

Urban Collection

Materials: **FRP Fiberglass and Lightweight GFRC Concrete**

The Urban Collection reflects the contemporary mood of today's discerning client. Sleek, simple, and elegantly proportioned, they work with most modern designs. Lightweight fiberglass or GFRC concrete make it durable enough for today's world.



- Lightweight FRP fiberglass and GFRC concrete are designed to be durable despite low weight - even for heavy-traffic locations
- Coordinates with our self-watering container irrigation products
- Metallic FRP finishes will naturally weather over time, like metal containers
- Round, square and rectangular sizes from 18" to 60", with customization available
- Matching Trash and Ash Bins & Recyclers available



Rounds

Part. No.	Material	Exterior Size (top x bottom x ht)	Interior Size (top x bottom x ht)	Weight (lbs.)	Soil Volume (cubic ft.)	Matching Irrigation
US-1800	FRP	18" x 13.5" x 24"	14" x 13" x 23.5"	11	2.6	CWM-1114-MS
US-2400	FRP	24" x 19" x 27"	20" x 18.5" x 26.5"	20	5.5	CWC-1600/CWM-1114-2k
US-3000	FRP	30" x 25.5" x 32"	26" x 25" x 31.5"	32	11	CWC-2100/CWM-1720-2k
US-3600	FRP	36" x 29.5" x 34"	32" x 29" x 33.5"	42	16	CWC-2500/CWM-1720-3k
US-4200	FRP	42" x 37.5" x 36"	38" x 37" x 35.5"	52	25	CWC-3300/CWM-1720-4k
US-4800	FRP	48" x 42.5" x 36"	44" x 41.5" x 35.5"	70	32	CWM-1720-5k
US-6000	FRP	60" x 53" x 36"	54" x 52.5" x 35.5"	90	45	CWM-2920-3k
US-7200	FRP	72" x 65" x 42"	68" x 63" x 41.5"	140	93	CWM-2920-3k
UCS-2400	GFRC	24" x 19" x 27"	20" x 17" x 26"	130	5	CWC-1600/CWM-1114-2k
UCS-3000	GFRC	30" x 25.5" x 32"	26" x 23.5" x 31"	190	10	CWC-2100/CWM-1720-2k
UCS-3600	GFRC	36" x 29.5" x 34"	32" x 27.5" x 33"	255	16	CWC-2500/CWM-1720-3k
UCS-4200	GFRC	42" x 37.5" x 36"	38" x 35.5" x 35"	320	24	CWC-3300/CWM-1720-4k
UCS-4800	GFRC	48" x 42.5" x 36"	44" x 40.5" x 35"	390	30	CWM-1720-5k
UCS-6000	GFRC	60" x 53" x 36"	54" x 51" x 34.5"	665	45	CWM-2920-3k
UCS-6024	GFRC	60" x 42" x 24"	56" x 41" x 23.5"	355	28	CWM 2914-2k

Squares

Part. No.	Material	Exterior Size (top x bottom x ht)	Interior Size (top x bottom x ht)	Weight (lbs.)	Soil Volume (cubic ft.)	Matching Irrigation
UR-1800	FRP	18" x 14.5" x 24"	14" x 14" x 23"	25	3.5	CWC-R1100/CWM-R1114-MS
UR-2400	FRP	24" x 19.5" x 27"	21" x 19" x 26"	30	7.2	CWC-R1850/CWM-R1114-2k
UR-3000	FRP	30" x 24.5" x 34"	26" x 24" x 33"	40	14	CWM-R2020-MS
UR-3600	FRP	36" x 30" x 34"	32" x 29.2" x 33"	75	20	CWM-R2020-2k
UR-4200	FRP	42" x 36.5" x 36"	38" x 36" x 35.5"	85	30	CWM-R2020-2k
UR-4800	FRP	48" x 42" x 42"	44" x 41" x 41"	125	48	CWM-R2920-2k
UR-6000	FRP	60" x 53.4" x 42"	56" x 53" x 41.5"	135	75	CWM-R2920-4k
UR-7200	FRP	72" x 65" x 42"	68" x 64" x 43.5"	165	117	CWM-R2920-4k-E
UCR-2400	GFRC	24" x 19.5" x 27"	21" x 16.5" x 26"	160	6.5	CWC-R1850/CWM-R1114-2k
UCR-3000	GFRC	30" x 24.5" x 32"	26" x 22.5" x 31"	260	12	CWM-R2020-MS
UCR-3600	GFRC	36" x 30" x 34"	32" x 28" x 33"	370	20	CWM-R2020-2k
UCR-4800	GFRC	48" x 42" x 42"	43" x 40" x 31"	665	44	CWM-R2920-2k

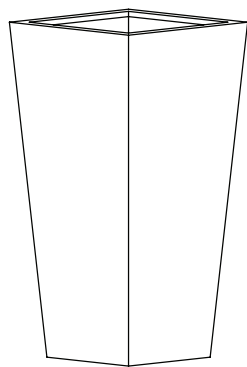


Tall Rounds

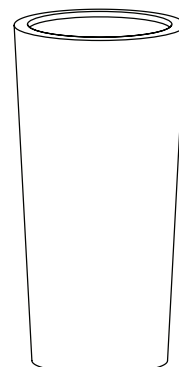
Part. No.	Material	Exterior Size (top x bottom x ht)	Interior Size (top x bottom x ht)	Weight (lbs.)	Soil Volume (cubic ft.)	Matching Irrigation
UST-1800	FRP	18" x 14" x 30"	14" x 13.5" x 29.5"	22	3.5	CWI-1200-X
UST-2400	FRP	24" x 19" x 48"	20" x 18.5" x 47.5"	55	6.5	CWC-1600
UST-3000	FRP	30" x 25" x 54"	26" x 24.5" x 53.5"	75	14	CWC-2100
UCST-1800	GFRC	18" x 14" x 30"	14" x 12.5" x 29"	150	5	CWM-1114-MS
UCST-2400	GFRC	24" x 19.5" x 48"	20" x 18" x 47"	250	5	CWM-1114--2k
UCST-3000	GFRC	30" x 24" x 54"	26" x 22.5" x 53"	400	13	CWM-1114--2k

Tall Squares

Part. No.	Material	Exterior Size (top x bottom x ht)	Interior Size (top x bottom x ht)	Weight (lbs.)	Soil Volume (cubic ft.)	Matching Irrigation
URT-1800	FRP	18" x 13.5" x 30"	14" x 13" x 29.5"	30	3.8	CWM-R1114-MS
URT-2400	FRP	24" x 16.5" x 48"	20" x 16" x 47.5"	65	11	CWC-R1850
URT-3000	FRP	30" x 21.5" x 54"	26" x 21" x 53.5"	80	19	CWM-R2020-MS
UCRT-1800	GFRC	18" x 11.5" x 29"	14" x 11.5" x 29"	200	3.8	CWM-R1114-MS
UCRT-2400	GFRC	24" x 15" x 47"	20" x 15" x 47"	300	12	CWC-R1850
UCRT-3000	GFRC	30" x 20" x 53"	26" x 20" x 53"	450	18	CWM-R2020-MS



URT-2400



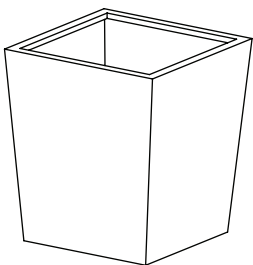
UST-2400



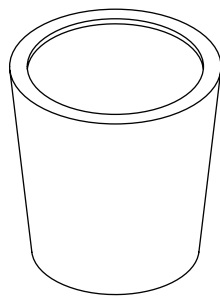
Urban Collection square, round and rectangle planters are available in sizes from 18" to 60" in many FRP fiberglass and GFRC colors, textures and finishes. Check with your salesperson for alternative shapes or sizes.

Rectangles

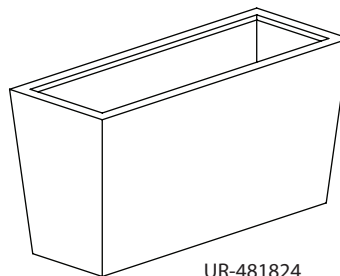
Part. No.	Material	Exterior (top)	(bottom)	(ht)	Interior (top)	(bottom)	(ht)	Weight (lbs.)	Soil Volume (cubic ft.)	Matching Irrigation
UR-241824	FRP	24" x 18"	20.5" x 13.5"	24"	20" x 14"	20" x 13"	23.5"	17	4.75	CWM-R1114-MS
UR-361824	FRP	36" x 18"	32.5" x 13.5"	24"	32" x 14"	32" x 13"	23.5"	33	7.3	CWM-R1114-2k
UR-481824	FRP	48" x 18"	44.5" x 13.5"	24"	44" x 14"	44" x 13"	23.5"	40	10	CWM-R1614-2k
UR-601824	FRP	60" x 18"	56.5" x 13.5"	24"	56" x 14"	56" x 13"	23.5"	50	12.5	CWM-R2014-2k
UR-362424	FRP	36" x 24"	32" x 20"	24"	32" x 20"	32" x 20"	23.5"	35	9.5	CWM-R1614-2k
UR-482424	FRP	48" x 24"	44" x 20"	24"	44" x 20"	44" x 20"	23.5"	45	13	CWM-R1614-2k
UR-602424	FRP	60" x 24"	56" x 20"	24"	56" x 26"	56" x 20"	23.5"	55	16	CWM-R2014-2k
UR-363030	FRP	36" x 30"	38" x 25"	30"	32" x 26"	31" x 25"	29.5"	46	15	CWM-R1614-2k
UR-483030	FRP	48" x 30"	43" x 25"	30"	44" x 25"	43" x 25"	29.5"	55	20	CWM-R1620-2k
UR-603030	FRP	60" x 30"	56" x 25"	30"	56" x 26"	56" x 20"	29.5"	67	25.5	CWM-R2020-2k
UCR-241824	GFRC	24" x 18"	20.5" x 13.5"	24"	20" x 14"	18.5" x 11.5"	23"	190	4.2	CWM-R1114-MS
UCR-361824	GFRC	36" x 18"	32.5" x 13.5"	24"	32" x 14"	30.5" x 11.5"	23"	250	6.6	CWM-R1114-2k
UCR-481824	GFRC	48" x 18"	44.5" x 13.5"	24"	44" x 14"	42.5" x 11.5"	23"	315	9	CWM-R1614-2k
UCR-601824	GFRC	60" x 18"	56.5" x 13.5"	24"	56" x 14"	54.5" x 11.5"	23"	375	11	CWM-R2014-2k



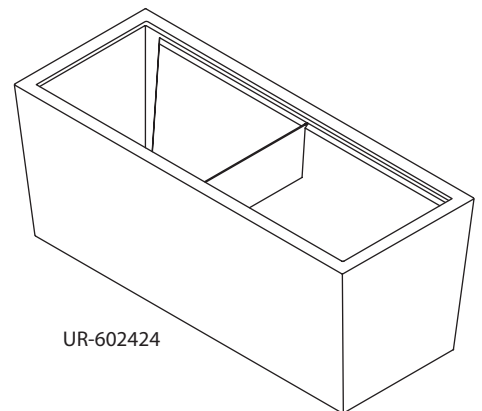
UR-2400



US-2400



UR-481824



UR-602424



Urban Collection Trash, Ash Bins and Recyclers complement the Urban square, round and rectangular planters and they are also available in many FRP fiberglass and GFRC colors, textures and finishes. Check with your salesperson for alternative shapes or sizes.

Urban Collection Trash and Ash Bins & Recyclers (For more options, see the Trash and Ash Bins & Recyclers detail sheet)

Part. No.	Material	Shape	Description
UR Trash Base	FRP	Square	22" Sq x 34.5"H, FRP Trash Base unit w/LLDPE Liner
UCR Trash Base	GFRC	Square	22" Sq x 34.5"H, GFRC Trash Base unit w/LLDPE Liner
US Trash Base	FRP	Round	24" dia x 30"H, FRP Trash Base unit w/LLDPE Liner
UCS Trash Base	GFRC	Round	24" dia x 30"H, GFRC Trash Base unit w/LLDPE Liner

Lid Options

Suffix	Material	Shape	Description
-AFF	FRP	Square	FRP ash-trash lid with steel ash insert, for square trash bases only
-TFF	FRP	Square	FRP trash lid, for square trash bases only
-TRS	Aluminum	Round	Aluminum anodized trash lid, 9" opening for round or square trash bases
-ATR	Aluminum	Round	Aluminum anodized ash-trash lid, 9" trash opening with 2.5" concentric ash ring for round or square trash bases
-TFR	FRP	Round	FRP ash-trash lid, color to match container, 9" trash opening for round trash bases only
-AFR	FRP	Round	FRP ash-trash lid with steel ash insert for round trash bases only

Recycling Systems

Part. No.	Material	Shape	Description
UR-REC-01	FRP	Square	22"L x 22"W x 33"H, FRP Recycler with 1-Stream Lid
UR-REC-02	FRP	Rectangle	38"L x 22"W x 33"H, FRP Recycler with 2-Stream Lid
UR-REC-03	FRP	Rectangle	54"L x 22"W x 33"H, FRP Recycler with 3-Stream Lid

