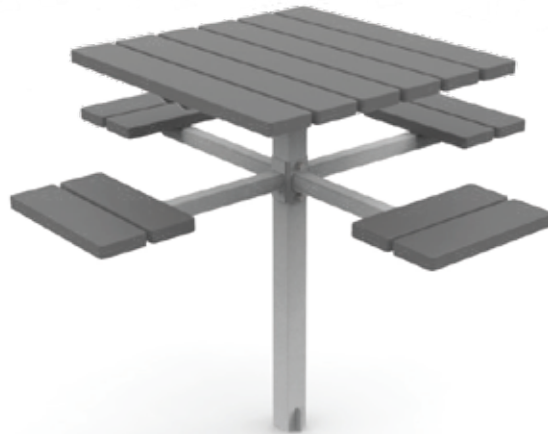


400 SERIES

MLPT400-DB-R



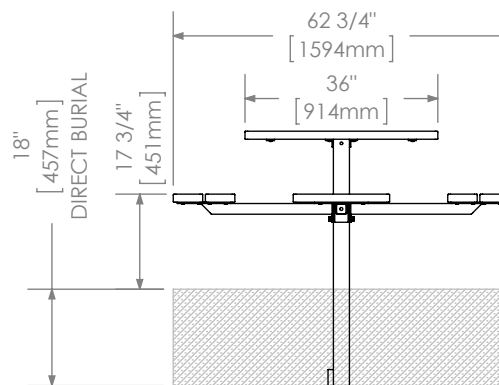
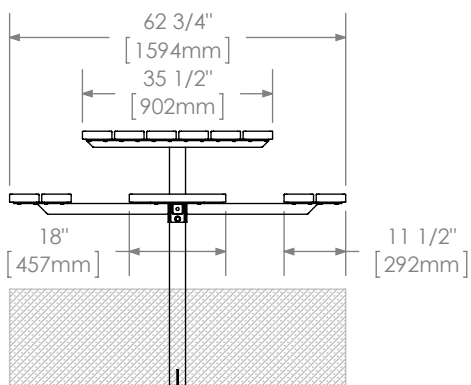
MATERIALS: The frame is H.S. steel tube and flat bar. Table top and seats are manufactured using recycled plastic slats.

FINISH: All steel components are protected with E-Coat rust proofing.
The Maglin Powdercoat System provides a durable finish on all metal surfaces.

INSTALLATION: The table is shipped knocked down with minimal assembly required.

TO SPECIFY: Select MLPT400-DB-R
Choose:
- Recycled plastic color
- Powdercoat Color

OPTIONS:
- Wheelchair accessibility (WCA)
- Game Board (GB)
- Wood Table Top/Seats (MLPT400-DB-W)



DIMENSIONS:
Seat Height: 17.75" (45.1cm)
Length: 62.75" (159.4cm)
Table Length: 36" (91.4cm)
Weight: 220.22lbs (99.9kg)



- Details and specifications may vary due to continuing improvements of our products.
- All drawings, specifications, design and details on this page remain the property of Maglin Site Furniture Inc. and may not be used without Maglin authorization.

