

MLPT1100B-M



MATERIALS: Table top and seats are manufactured using lasered steel panels. The frame is H.S. steel tube and is available as surface mount only.

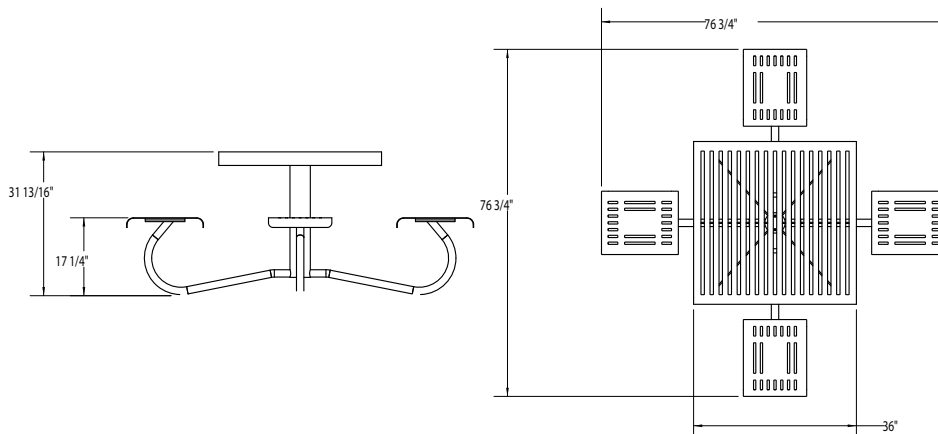
FINISH: All steel components are protected with E-Coat rust proofing.
The Maglin Powdercoat System provides a durable finish on all metal surfaces.

INSTALLATION: The table is delivered pre-assembled.

TO SPECIFY: Select MLPT1100B-M
Choose:
- Powdercoat Color

OPTIONS:

- Wheelchair Accessibility (WCA)
- Game Board (GB)
- Umbrella Mount (UM)
- Seat with Backs (MLPT1100-M)



DIMENSIONS:
Table Height: 31.8" (80.8cm)
Total Length: 76.8" (194.9cm)
Table Width: 36" (67.3cm)



- Details and specifications may vary due to continuing improvements of our products.
- All drawings, specifications, design and details on this page remain the property of Maglin Site Furniture Inc. and may not be used without Maglin authorization.