



MAGLIN™*

PRODUCT & PRICING INFO
STREETSCAPES
 303.398.7040 STREET-SCAPES.COM

MLPT720 SERIES

MATERIALS: This wheelchair accessible table top and accompanying bench seats (2) are manufactured using Ipe slats. The table and bench frames are solid cast aluminum, H.S. steel tube and flat bar.

FINISH: All steel components are protected with E-Coat rust proofing. The Maglin Powdercoat System provides a durable finish on all metal surfaces. Wood slats are finished with penetrating sealers.

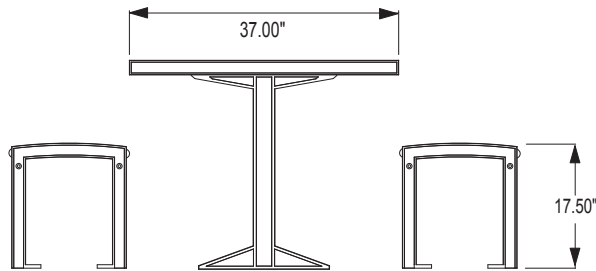
INSTALLATION: The MLPT720 Series Cluster Seating surface mount tables are delivered pre-assembled. Tables with the direct burial option are shipped knocked down with minimal assembly required. Benches for both options are pre-assembled. Holes are provided in each foot for securing to base.

TO SPECIFY: Select MLPT720 Series
 Choose:
 Base type for table
 (Benches are Surface Mount ONLY)
 - MLPT720-DB (Direct Burial)
 - MLPT720-S (Surface Mount)
 - Powdercoat color

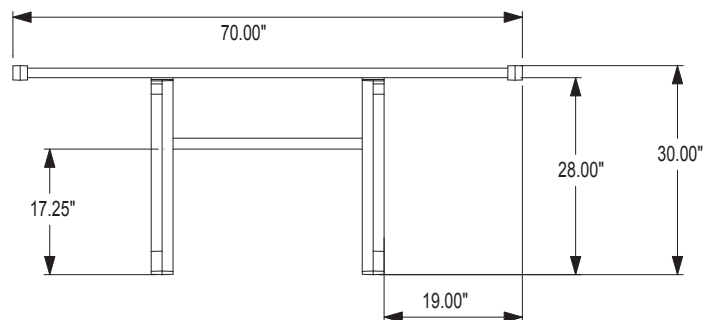


*MLPT720-S surface mount table option shown

DIMENSIONS:
 Table Height: 30.00" (76.2 cm)
 Total Length: 70.00" (178.0 cm)
 Table Width: 37.00" (94.0 cm)



*MLPT722 surface mount table option shown



*table is Wheelchair accessible

-All drawings, specifications, design and details on this page remain the property of Maglin Site Furniture Inc. and may not be used without Maglin authorization.
 -Details and specifications may vary due to continuing improvements of our products.