

# 720 SERIES

## MCL720-M

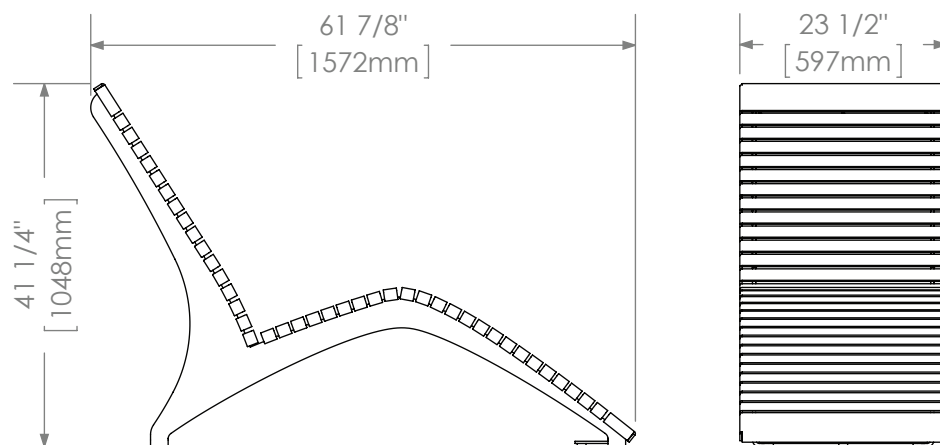


**MATERIALS:** The Chaise Lounge frame is constructed of laser cut and formed steel. The seat employs Steel.

**FINISH:** All steel components are protected with E-Coat rust proofing.  
The Maglin Powdercoat System provides a durable finish on all metal surfaces.

**INSTALLATION:** The chaise is delivered pre-assembled. Holes (0.5") are provided in each foot for securing to base.

**TO SPECIFY:** Select MCL720-M  
Choose:  
- Powdercoat Color



**DIMENSIONS:**  
Height: 41.25" (104.8cm)  
Length: 61.89" (157.2cm)  
Depth: 23.5" (59.7cm)  
Weight: 201.64lbs (91.5kg)



- All drawings, specifications, design and details on this page remain the property of Maglin Site Furniture Inc. and may not be used without Maglin authorization.
- Details and specifications may vary due to continuing improvements of our products.

