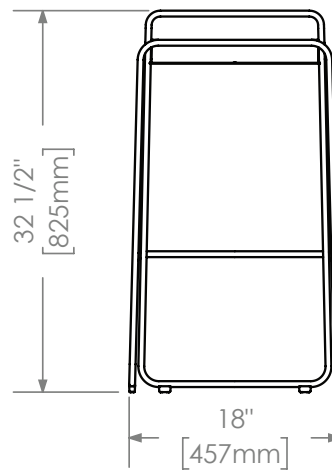
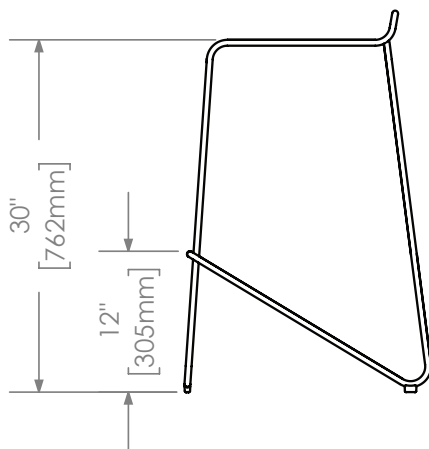


KNST2000-BH-M0



- MATERIALS:** The stool frame is constructed of solid steel rod and employs a formed steel seat.
- FINISH:** All steel components are protected with E-Coat rust proofing. The Maglin Powdercoat System provides a durable finish on all metal surfaces.
- INSTALLATION:** The stool is delivered pre-assembled and can be stacked and stored 6 stools high.
- TO SPECIFY:** Select: KNST2000-BH-M0
Choose:
- Powdercoat Color



DIMENSIONS:
Height: 32.50" (82.5cm)
Width: 18.00" (45.7cm)
Weight: 19.14lbs (8.7kg)



- All drawings, specifications, design and details on this page remain the property of Maglin Site Furniture Inc. and may not be used without Maglin authorization.
- Details and specifications may vary due to continuing improvements of our products.