

FRST1700-BH-MSF-M1

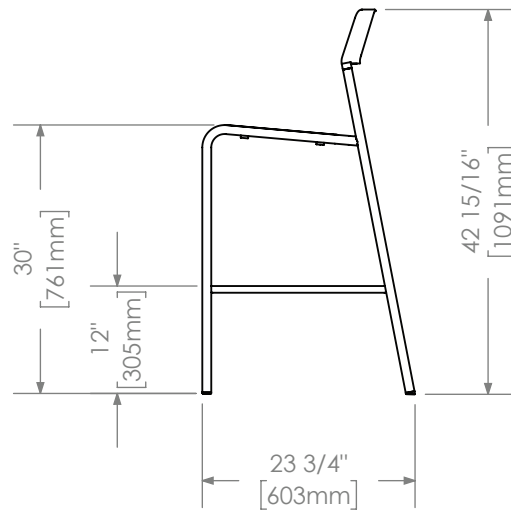
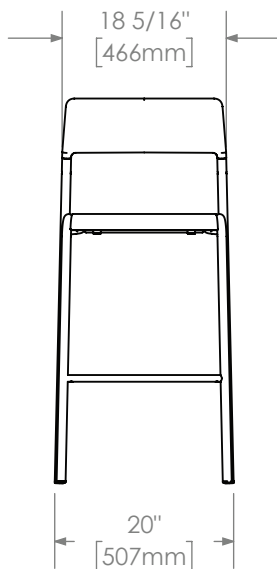


MATERIALS: The stool frame is constructed from steel tube. The seat is laser formed steel. The back is made of a solid aluminum casting.

FINISH: All steel components are protected with E-Coat rust proofing. The Maglin Powdercoat System provides a durable finish on all metal surfaces.

INSTALLATION: The stools come pre-assembled.

TO SPECIFY: Select FRST1700-BH-MSF-M1



DIMENSIONS:

Height: 42.94" (109.1cm)
 Width: 20" (50.7cm)
 Depth: 23.75" (60.3cm)
 Weight: 22.62lbs (10.26kg)



- All drawings, specifications, design and details on this page remain the property of Maglin Site Furniture Inc. and may not be used without Maglin authorization.
 - Details and specifications may vary due to continuing improvements of our products.

