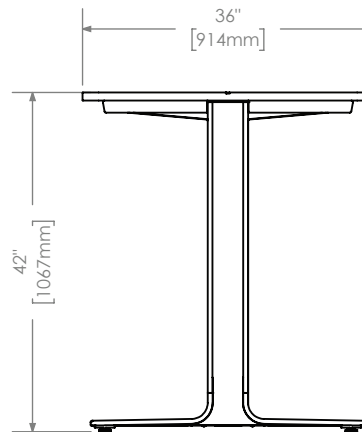
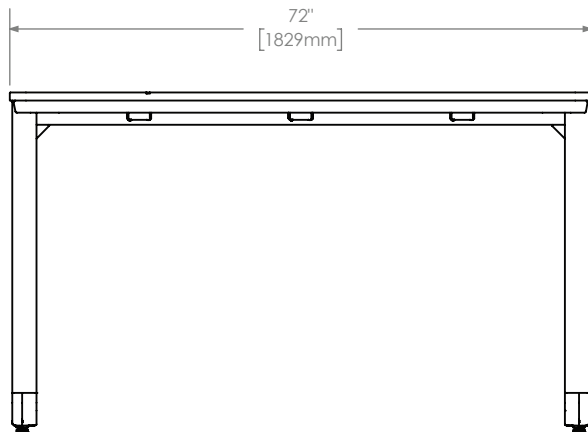


ACTB2100-BH-6-P-P1-FS



- MATERIALS:** The table top employs HDPE recycled plastic (orange peel appearance). The legs are aluminum and the leg cover plates and table top sub frame is steel.
- FINISH:** All steel components are protected with E-Coat rust proofing. The Maglin Powdercoat System provides a durable finish on all metal surfaces.
- INSTALLATION:** Legs are provided with leveling feet. The top and legs must be assembled together on site, please refer to instructions for details.
- TO SPECIFY:** Select ACTB2100-BH-6-P(XX)-P1-FS
Choose:
- Powdercoat Color
- HDPE Color
• Brown (PBN), Grey (PGY), Black (PBK), Green (PGN), Orange (POR)



DIMENSIONS:
Height: 42.00" (106.7cm)
Length: 72.00" (182.9cm)
Width: 36.00" (91.4cm)
Weight: 217.8lbs (98.8kg)



- All drawings, specifications, design and details on this page remain the property of Maglin Site Furniture Inc. and may not be used without Maglin authorization.
- Details and specifications may vary due to continuing improvements of our products.