

## FRT1700-BH-RD-M1-FS-30-FR

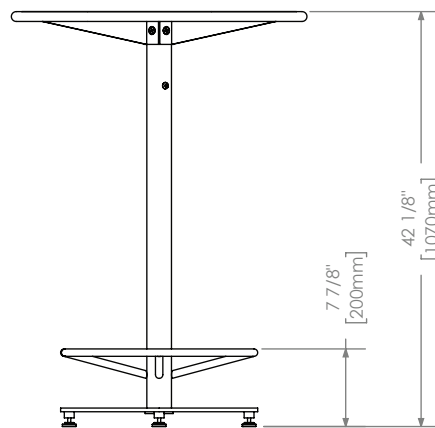
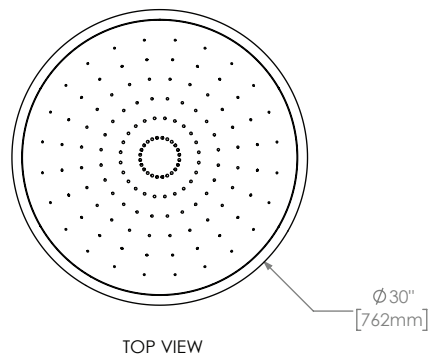


**MATERIALS:** The top is laser cut steel with a steel tube outer ring. The table base is constructed of steel plate. The center post and foot ring are steel tube.

**FINISH:** All steel components are protected with E-Coat rust proofing. The Maglin Powdercoat System provides a durable finish on all metal surfaces.

**INSTALLATION:** The table comes pre-assembled. 4 leveling feet are provided.

**TO SPECIFY:** FRT1700-BH-RD-M1-FS-30-FR



**DIMENSIONS:**

Height: 42.13" (107.0cm)  
 Diameter: 30" (76.2cm)  
 Weight: 91.56lbs (41.5kg)



- All drawings, specifications, design and details on this page remain the property of Maglin Site Furniture Inc. and may not be used without Maglin authorization.  
 - Details and specifications may vary due to continuing improvements of our products.

