

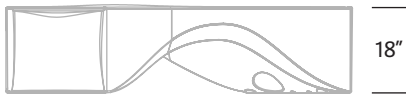
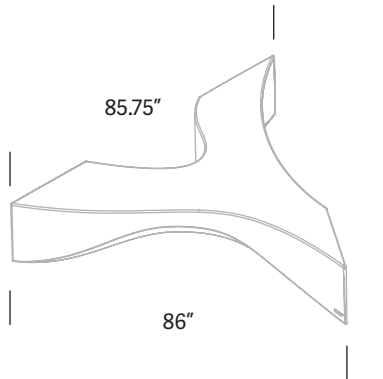
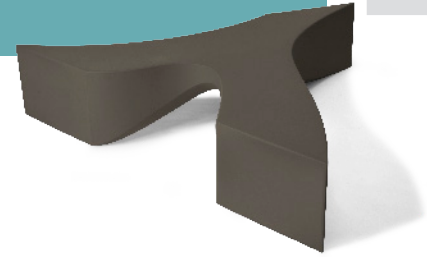
TONIK™

RIPTIDE™ Wishbone

designed by
Karim Rashid



Riptide is a modular seating system with three primary shapes that make endless configurations. It's made especially for hospitality and other commercial environments but fits in just as well in cocktail lounges, outdoor recreational areas and any space where you might find old friends hanging out together or new friends making connections.



*Available port for ballasting

Model #	Height	Widest Part	Weight
RT35	18"	86"	81 lbs

Material

One-piece, rotationally molded, specially formulated, high-impact polyethylene with ultraviolet light stabilizers (to reduce fading). The commercial-grade polyethylene material is also FDA-approved, making it ideal for restaurants, food courts and entertainment facilities. Chemically resistant to bleach, salt solution and chlorine solution. Premium TruColor™ material is fully compounded for superior color and quality assurance. Enhanced UV resistant formulation suitable for both indoor and outdoor use.

Options

Illuminated Version (Moonglow only) / Ganging plates / Anchor Kit / USB Port

Environmental Test Standards

GREENGUARD and GREENGUARD Gold Certified by UL Environment. Product certified for low chemical emissions to UL 2818. UL.COM/GG.

Performance Test Standards

Product tested to 500 lbs static load.

Assembly

None Required

Warranty

5 year limited replacement warranty.

Maintenance

For routine and regular cleaning maintenance, Tonik recommends the use of Simple Green® or an equivalent cleaning product. For the deep-scrub cleaning of tougher stains, marks and debris, we recommend the use of Clorox® Clean-Up® Cleaner + Bleach or an equivalent cleaning solution.

Color



PRODUCT & PRICING INFO

