

## FRC1700-MSF-M2

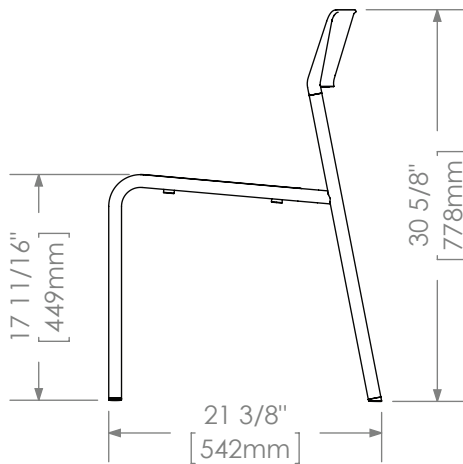
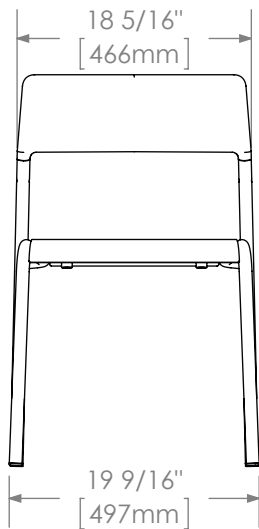


**MATERIALS:** The chair frame is constructed from steel tube. The seat is laser formed steel. The back is made of a solid aluminum casting.

**FINISH:** All steel components are protected with E-Coat rust proofing.  
The Maglin Powdercoat System provides a durable finish on all metal surfaces.

**INSTALLATION:** The chairs come pre-assembled, and can be stacked and stored 4 chairs high.

**TO SPECIFY:** FRC1700-MSF-M2



**DIMENSIONS:**

Height: 30.63" (77.8cm)  
Width: 19.56" (49.7cm)  
Depth: 21.38" (54.2cm)  
Weight: 16.69lbs (7.6kg)



- All drawings, specifications, design and details on this page remain the property of Maglin Site Furniture Inc. and may not be used without Maglin authorization.  
- Details and specifications may vary due to continuing improvements of our products.

