

MBR-2300-00001



MATERIALS: The bike rack frame is made from solid cast aluminum. All brackets are made of steel. Tamper resistant fasteners are stainless steel.

FINISH: The Maglin Powdercoat System provides a durable finish on all aluminum castings.

INSTALLATION: The bike rack is delivered in parts. Reference INSTALL_MBR-2300-00001 PDF for more information.

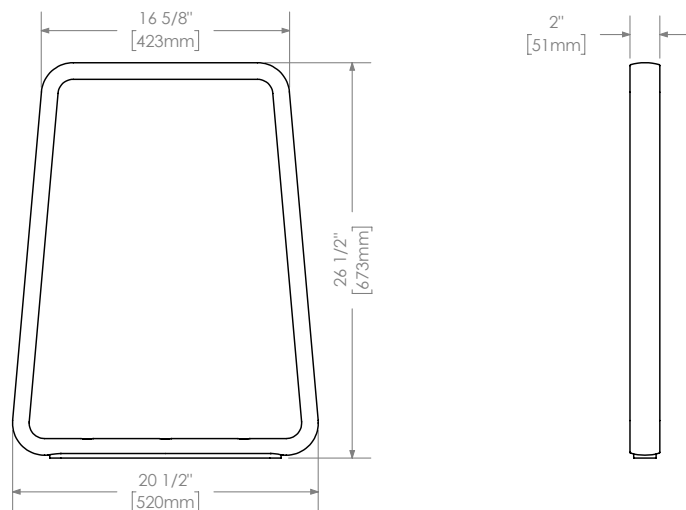
TO SPECIFY: Select MBR-2300-00001
Choose:
- Powdercoat Color

HEIGHT: 26 1/2" (67.3cm)

LENGTH: 20 1/2" (52cm)

WIDTH: 2" (5.1cm)

WEIGHT: 18 lbs (8kg)



MAGLIN™
Site Furniture

- Details and specifications may vary due to continuing improvements of our products.
- All drawings, specifications, design and details on this page remain the property of Maglin Site Furniture Inc. and may not be used without Maglin authorization.

PRODUCT & PRICING INFO

STREETSCAPES
303.398.7040 STREETSCAPES.COM