

MBR200-DB



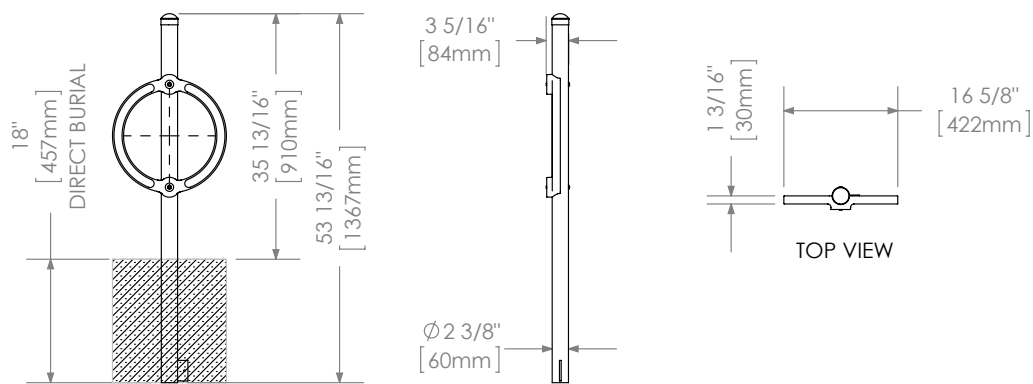
MATERIALS: The bike rack is constructed using galvanized H.S. steel tube and an aluminum casting. Custom raised lettering is available.

FINISH: The bike rack uses a galvanized post with a natural finish on the aluminum ring casting. The Maglin Powdercoat finish is also available.

INSTALLATION: The bike rack is delivered pre-assembled.

TO SPECIFY: Select MBR200-DB
Choose:
- Powdercoat Color
Natural Aluminum/Galvanized Finish
- Direct Burial (MBR200-DB-G)

OPTIONS: Personalization



DIMENSIONS:
Height: 35.81" (90.96 cm)
Diameter: 16.75" (42.5 cm)
Direct Burial: 18.00" (45.7 cm)
(Below Grade)
Weight: 19.0 lbs (8.6 kg)



- Details and specifications may vary due to continuing improvements of our products.
- All drawings, specifications, design and details on this page remain the property of Maglin Site Furniture Inc. and may not be used without Maglin authorization.

