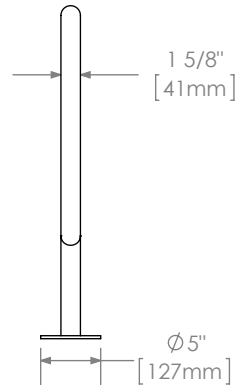
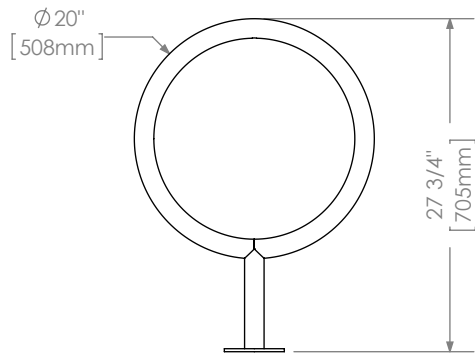


150 SERIES

MBR150-S



- MATERIALS:** The bike rack is constructed using H.S. steel tube and steel mounting plate.
- FINISH:** All steel components are protected with E-Coat rust proofing. The Maglin Powdercoat System provides a durable finish on all metal surfaces.
- INSTALLATION:** The bike rack is delivered pre-assembled.
- TO SPECIFY:** Select MBR150-S
Choose:
- Powdercoat Color
- Galvanized Finish
- Surface Mount (MBR150-S-G)



DIMENSIONS:

Height: 27.75" (70.5cm)
Diameter: 20" (50.8cm)
Weight: 12.04lbs (5.5kg)



MAGLIN™
Site Furniture

- Details and specifications may vary due to continuing improvements of our products.
- All drawings, specifications, design and details on this page remain the property of Maglin Site Furniture Inc. and may not be used without Maglin authorization.

PRODUCT & PRICING INFO

STREETSCAPES
303.398.7040 STREET-SCAPES.COM