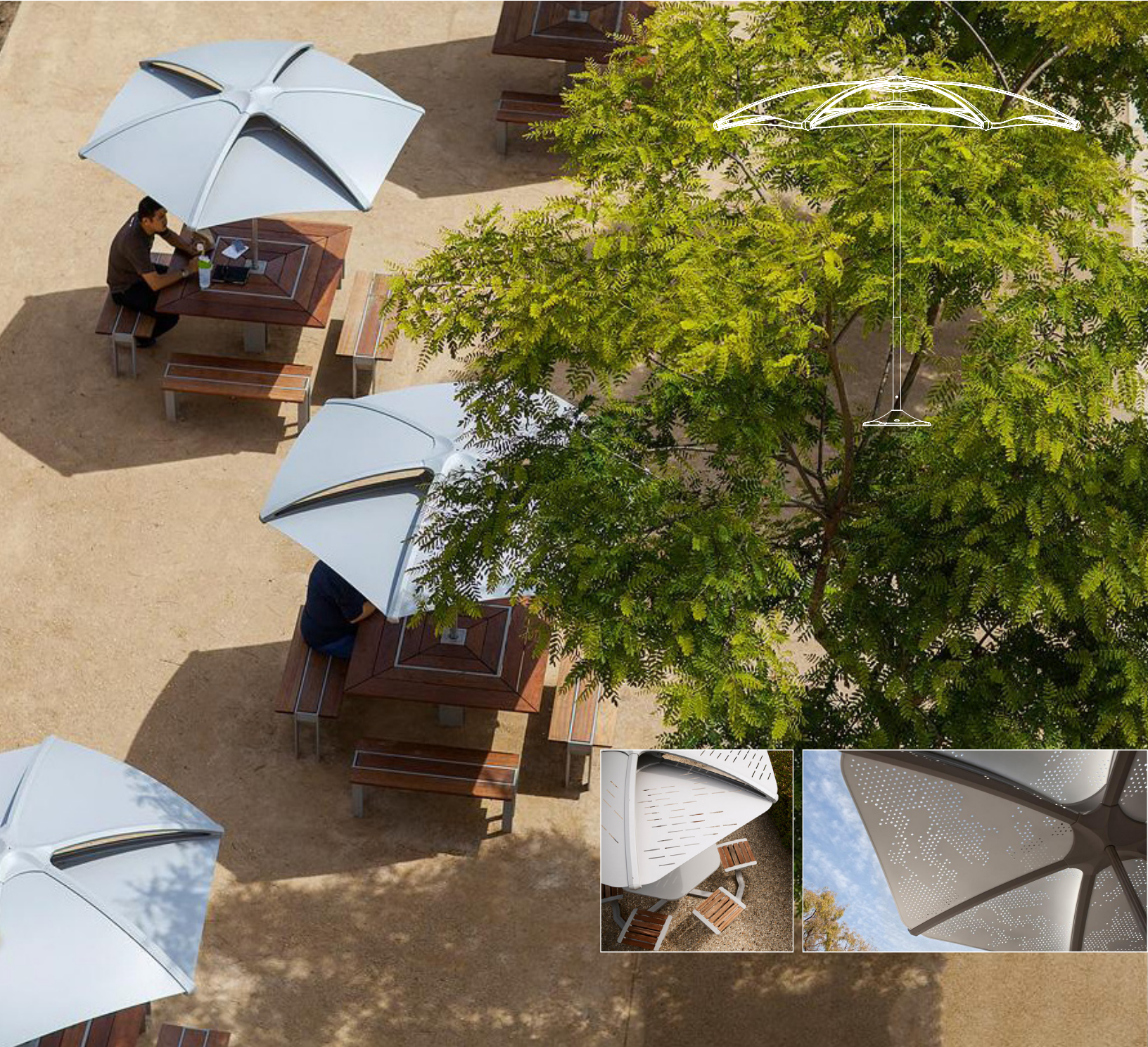




**SOLERIS™** SUNSHADE

PRODUCT DATA



PRODUCT & PRICING INFO

**STREETSCAPES**  
303.398.7040 [STREET-SCAPES.COM](http://STREET-SCAPES.COM)

**FORMS+SURFACES®**



## SOLERIS™ SUNSHADE

**Soleris Sunshade** offers a fresh interpretation of a classic functional form. Designed for year-round use, this versatile, durable umbrella features open-air construction, a fixed stainless steel pole, and shade panels in powdercoated aluminum with a variety of optional perforation patterns.

### MATERIAL & CONSTRUCTION DETAILS

### INSTALLATION & MAINTENANCE

CONFIGURATIONS	SHADE PANELS	INSTALLATION
<ul style="list-style-type: none"> <li>Soleris Sunshade was designed to be used as a standalone feature, with the Tangent, Knight, Trio, and Apex Table Ensembles or with specified tabletops.</li> <li>Soleris Sunshade is not compatible with all F+S tables.</li> <li>Please contact us to discuss your specific projects needs.</li> </ul>	<ul style="list-style-type: none"> <li>Shade panels are available with or without perforations. Standard perforation patterns are Cloud, Fade, Slat, and Stitch. See pages 2 and 3 for details.</li> <li>Shade panels used with Apex or Knight Table Ensemble or square table top the shade panels will have straight edges. See technical drawings for details.</li> <li>Aluminum panels have a powdercoat finish that can be specified independently of frame color. See the Forms+Surfaces Powdercoat Chart for details. Custom RAL colors are available for an upcharge.</li> </ul>	<ul style="list-style-type: none"> <li>Soleris Sunshade must be surface mounted using the included base plate.</li> <li>When using Soleris Sunshade with an ensemble, both the table and the Soleris Sunshade must be surface mounted.</li> <li>All models include stainless steel anchors and stainless steel mounting screws.</li> <li>The sunshade and mounting pole ship as separate components and are easily assembled.</li> <li>Designed to be left up year round.</li> </ul>
CONSTRUCTION	FRAME & MOUNTING ASSEMBLY FINISHES	MAINTENANCE
<ul style="list-style-type: none"> <li>Frame consists of corrosion-resistant aluminum with a durable powdercoat finish. See the Forms+Surfaces Powdercoat Chart for details. Custom RAL colors are available for an upcharge.</li> <li>All frame connection points are welded and mechanically fastened for maximum durability.</li> <li>Shade panels are made from 0.06" (1.5mm) aluminum.</li> <li>1.75" (44.5mm) diameter stainless steel mounting pole.</li> <li>Fixed pole and panels; no raising or lowering required.</li> <li>Mounting assembly includes a stainless steel base plate with 2.0" (50.8mm) diameter stainless steel sleeve to accept mounting pole; standalone model also includes a cast aluminum escutcheon.</li> </ul>	<ul style="list-style-type: none"> <li>Aluminum frame has a durable powdercoat finish. See the Forms+Surfaces Powdercoat Chart for details. Custom RAL colors are available for an upcharge.</li> <li>Mounting assembly is powdercoated to match the Soleris Sunshade frame. For standalone models, cast aluminum escutcheon is also powdercoated to match the frame.</li> <li>When used with Forms+Surfaces Table Ensemble Soleris Sunshade baseplate and sleeve will be powdercoated to match table frame.</li> <li>Stainless steel mounting pole has a Satin finish.</li> </ul>	<ul style="list-style-type: none"> <li>Metal surfaces can be cleaned as needed using a soft cloth or brush with warm water and a mild detergent. Avoid abrasive cleaners.</li> <li>In the event of high winds, we recommend taking down the Soleris Sunshade to prevent damage.</li> </ul>

### STRUCTURAL INTEGRITY

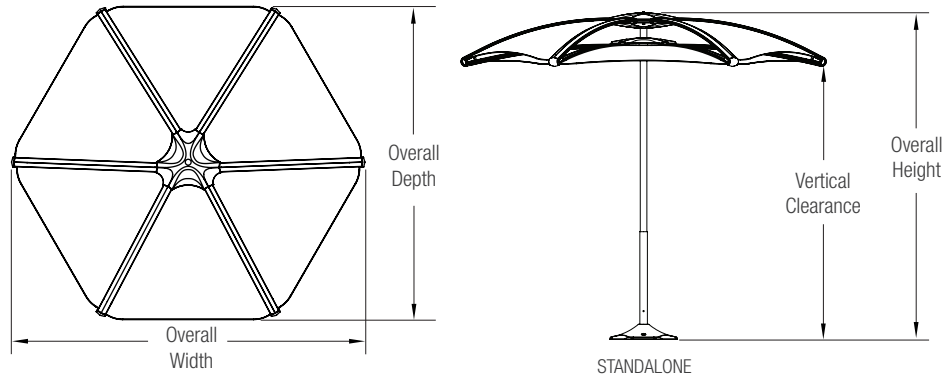
WIND & SNOW LOAD INFORMATION
<ul style="list-style-type: none"> <li>Soleris Sunshade has been evaluated to the requirements of the International Building Code, 2015 edition, and ASCE 7 - 10.</li> <li>Mounting system is able to adequately withstand the lateral force produced by an ultimate wind speed of 101.5 MPH (78.6 MPH nominal speed).</li> <li>Each individual Soleris Sunshade panel is capable of withstanding the uplift force produced by an ultimate wind speed of 143 MPH (110.8 MPH nominal).</li> <li>Soleris Sunshade panels are capable of supporting a snow depth of approximately 16.5"; the difference in snow depth across sunshade should not exceed 7".</li> <li>Certified structural calculations are available upon request.</li> </ul>



**SOLERIS™ SUNSHADE**

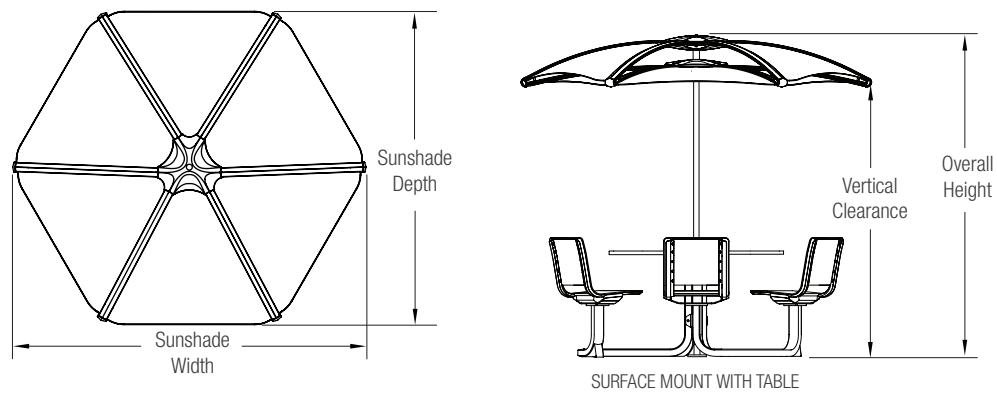
PRODUCT DATA

**STANDALONE NOMINAL DIMENSIONS**



MODEL	OVERALL WIDTH	OVERALL DEPTH	OVERALL HEIGHT	VERTICAL CLEARANCE	OVERALL WEIGHT
SUSOL-APS	96.9" (2461 mm)	83.0" (2108 mm) - 86.0" (2184 mm)	94.4" (2398 mm)	80.0" (2032 mm)	181 lbs (82 kg)

**SOLERIS SUNSHADE WITH TABLE ENSEMBLE NOMINAL DIMENSIONS** (Tangent Table Ensemble, 6-seat shown)



MODEL	SUNSHADE WIDTH	SUNSHADE DEPTH	OVERALL HEIGHT	VERTICAL CLEARANCE	OVERALL WEIGHT
SUSOL-APT	96.9" (2461 mm)	83.0" (2108 mm) - 86.0" (2184 mm)	94.4" (2398 mm)	80.0" (2032 mm)	326 - 562 lbs (164 - 255 kgs)

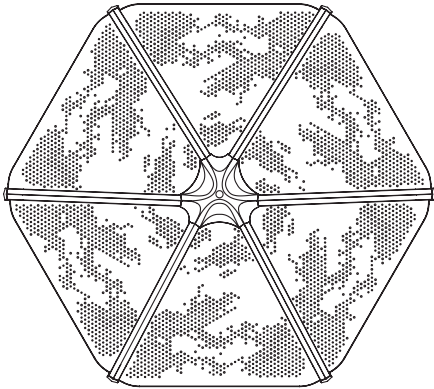


# SOLERIS™ SUNSHADE

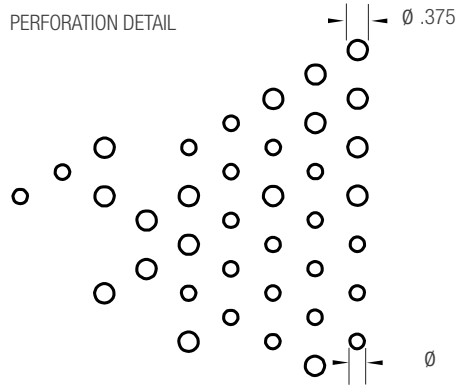
PRODUCT DATA

## ALUMINUM PANEL PERFORATION PATTERNS

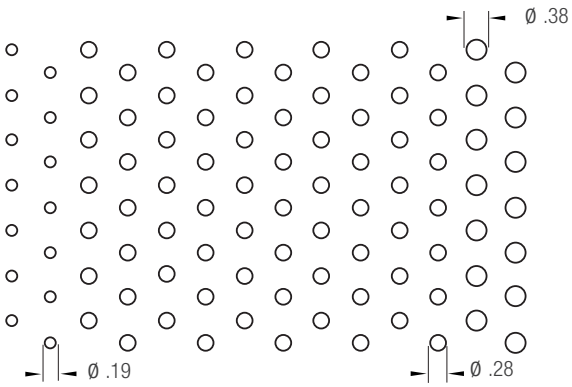
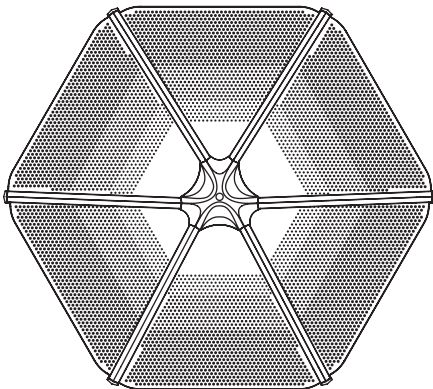
CLOUD



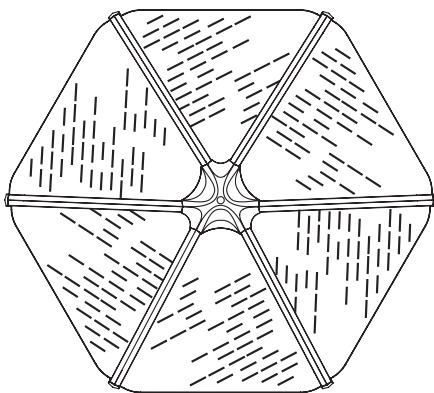
PERFORATION DETAIL



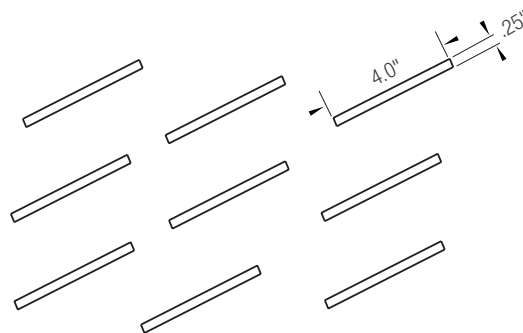
FADE



SLAT



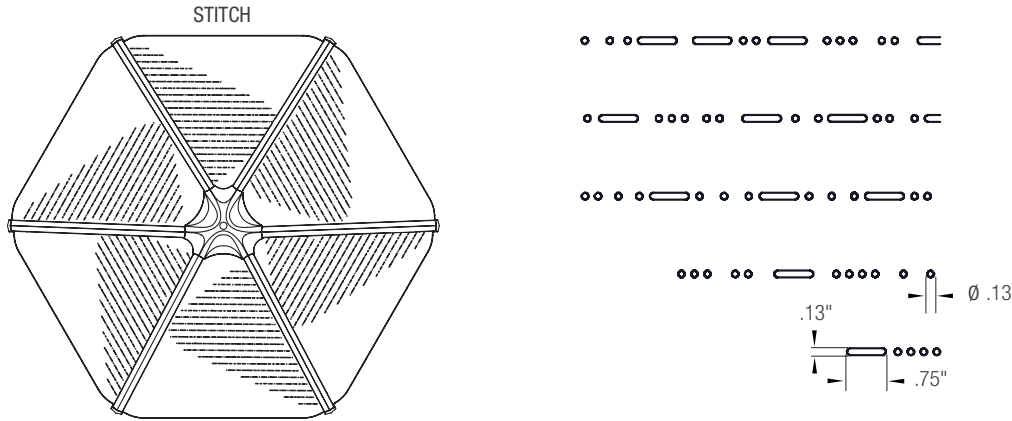
PERFORATION DETAIL





**SOLERIS™ SUNSHADE**

**ALUMINUM PANEL PERFORATION PATTERNS (CONTINUED)**



**ENVIRONMENTAL CONSIDERATIONS**

- Please refer to the Soleris Sunshade Environmental Data Sheets for detailed environmental impact information.
- Metal components have a long life cycle and are 100% recyclable.
- Standard powdercoat finishes are no-VOC; non-standard powdercoat finishes are no- or low-VOC, depending on color.
- Low maintenance; easy to disassemble.

**MODEL NUMBERS AND DESCRIPTIONS**

MODEL	DESCRIPTION
SUSOL-APS	Soleris Sunshade, aluminum panels, surface mount; standalone or for use with table tops
SUSOL-APT	Soleris Sunshade, for use with Forms+Surfaces Table Ensembles

**PRODUCT OPTIONS**

The following options are available for an upcharge

24" diameter table top	Custom RAL powdercoat color (table top)
30" diameter table top	Aluminum panel perforation pattern for sunshade
36" diameter table top	Premium Texture Colors from Forms+Surfaces Powdercoat Chart (aluminum panel)
42" diameter table top	Custom RAL powdercoat color (aluminum panel)
36 x 36" square table top	Premium Texture Colors from Forms+Surfaces Powdercoat Chart (frame)
Concentric 1/4" round perforations for table tops	Custom RAL powdercoat color (frame)
Add powdercoat color from Forms+Surfaces Powdercoat Chart (table top)	

**TO ORDER SPECIFY:** Quantity, application, powdercoat color(s), and aluminum panel perforation pattern.