



**AXIS™** LITTER & RECYCLING RECEPTACLE

PRODUCT DATA



PRODUCT & PRICING INFO

 **STREETSCAPES**  
303.398.7040 [STREET-SCAPES.COM](http://STREET-SCAPES.COM)

**FORMS+SURFACES®**



## AXIS™ LITTER & RECYCLING RECEPTACLE

PRODUCT DATA

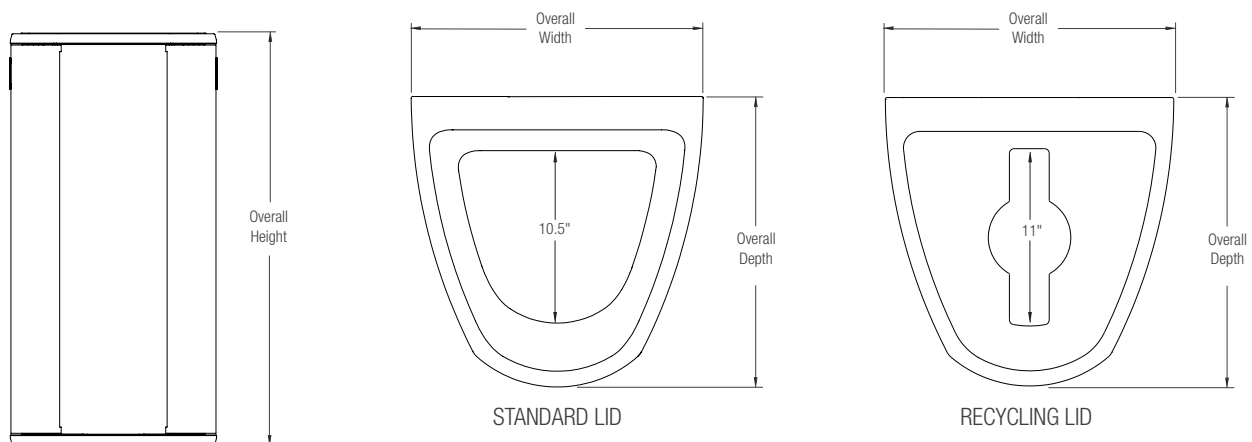
The **Axis Litter & Recycling Receptacle** draws inspiration from airplanes and high-speed trains – fitting for its intended use at airports and other transit centers. With its streamlined stance, Axis is an extremely versatile modular design: install it as a single unit, connect two for dual-stream use, or switch on-site to meet evolving needs. Individual receptacles fit snug against a wall, while double units placed in the open allow crowds to flow freely around. Durable stainless steel construction stands up in high-traffic spaces. Hinged side-access doors on both sides ensure easy servicing.

### MATERIAL & CONSTRUCTION DETAILS

### INSTALLATION & MAINTENANCE

CONFIGURATIONS	LID & BASE	GRAPHICS	INSTALLATION
<ul style="list-style-type: none"> <li>Individual receptacles can be used on their own for single-stream waste collection or two units can be joined together for dual-stream use.</li> <li>Configurations can be changed on-site as needs evolve. Supplied hardware makes it easy to attach single units or detach joined units at any time.</li> </ul>	<ul style="list-style-type: none"> <li>Two lid options are available: Standard and Recycling.</li> <li>Lid and base are made of corrosion-resistant solid-cast aluminum with powdercoat finish.</li> <li>See the Forms+Surfaces Powdercoat Chart for details. Custom RAL colors are available for an upcharge.</li> <li>Due to the inherent nature of metal castings, gloss powdercoats are not offered for cast components.</li> </ul>	<ul style="list-style-type: none"> <li>Instructional graphics with black, blue, or green backgrounds and white messages and symbols clearly indicate the use for each opening.</li> <li>Graphics are printed on the back of clear, lightly textured polycarbonate, protecting them from wear over time.</li> </ul>	<ul style="list-style-type: none"> <li>Axis may be used freestanding or surface mounted.</li> <li>Single units can be joined for dual-stream use. Connection hardware is included.</li> <li>Anchors, levelers, and stainless steel mounting screws are provided when surface mounting is specified; levelers are supplied for freestanding units.</li> </ul>
BODY	SIDE-ACCESS DOORS	LINERS	MAINTENANCE
<ul style="list-style-type: none"> <li>All body panels are stainless steel with one of three finishes: Sandstone, Diamond or Satin.</li> <li>Main panels cover the wide curved sides of the receptacle and the straight flat end; patterns are not applicable.</li> <li>An accent panel covers the narrow curved end and is available with the following perforation patterns: Scape, Morse, Enigma, or Cipher.</li> </ul>	<ul style="list-style-type: none"> <li>Receptacles have two side-access doors; one on either side of the body.</li> <li>Door handles are cast stainless steel.</li> <li>Two stainless steel latch options are available: a standard magnetic latch and a tool-operated security latch.</li> </ul>	<ul style="list-style-type: none"> <li>Axis uses replaceable internal liners designed to be used with or without plastic litter bags.</li> <li>Liners can be specified with tensioned rubber bag straps and drain holes.</li> <li>Liners are molded from durable black polyethylene with a UL94HB fire rating.</li> </ul>	<ul style="list-style-type: none"> <li>Metal surfaces can be cleaned as needed using a soft cloth or brush with warm water and a mild detergent. Avoid abrasive cleaners.</li> </ul>

### NOMINAL DIMENSIONS



MODEL	OVERALL HEIGHT	OVERALL WIDTH	OVERALL DEPTH	OVERALL WEIGHT	CAPACITY
SLAXS-132	36" (914 mm)	18" (457 mm)	18" (457 mm)	77lbs (35 kg)	32 gallons (121 liters)





# AXIS™ LITTER & RECYCLING RECEPTACLE

PRODUCT & PRICING INFO

**STREETSCAPES**  
303.398.7040 STREET-SCAPES.COM

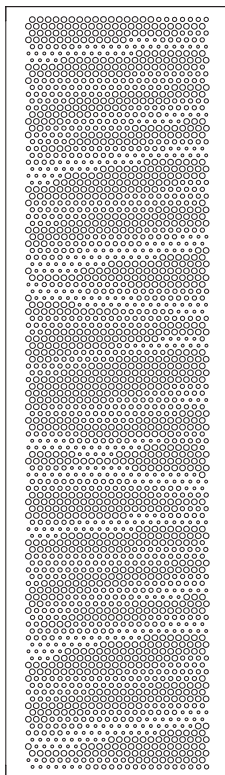
PRODUCT DATA

## STANDARD GRAPHICS

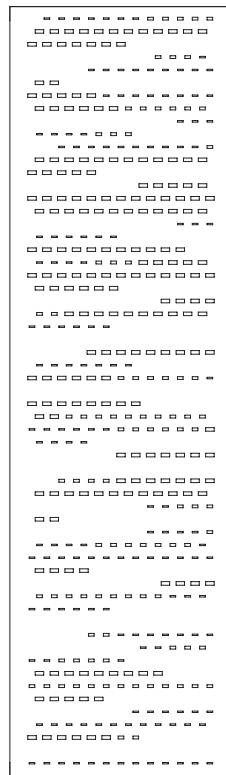
Instructional graphics for Axis lids are available with a variety of messages and colors. All graphics are available with black backgrounds. Recycling, bottles & cans, paper, and compost graphics are also available with blue or green backgrounds to clearly indicate recycling streams. All letters and symbols are white.



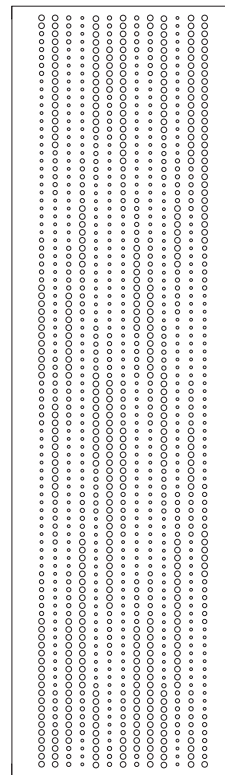
## ACCENT PANEL PERFORATION PATTERN OPTIONS



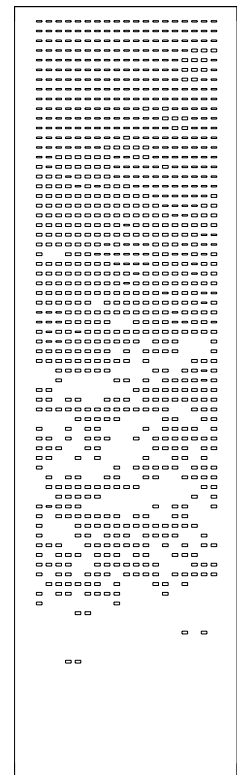
SCAPE



MORSE



ENIGMA



CIPHER

**FORMS+SURFACES®**



## AXIS™ LITTER & RECYCLING RECEPTACLE

PRODUCT DATA

### ENVIRONMENTAL CONSIDERATIONS

- Please refer to the Axis Litter & Recycling Receptacle Environmental Data Sheet for detailed environmental impact information.
- Axis has a high recycled content.
- All components are fully recyclable.
- Powdercoat finishes are no- or low-VOC, depending on color.
- Low maintenance.

### MODEL NUMBER AND DESCRIPTION

MODEL	DESCRIPTION
SLAXS-132	Axis Receptacle, stainless steel, 32-gallon liner

### PRODUCT OPTIONS

The following options are available for an upcharge

Add standard perforation to accent panel	Custom RAL powdercoat color
Premium Texture Colors from Forms+Surfaces Powdercoat Chart	

**TO ORDER SPECIFY:** Quantity, main panel, accent panel, lid graphics, freestanding or surface mount.