



**DISPATCH™** LITTER & RECYCLING RECEPTACLE

PRODUCT DATA



PRODUCT & PRICING INFO

 **STREETSCAPES**  
303.398.7040 [STREET-SCAPES.COM](http://STREET-SCAPES.COM)

**FORMS+SURFACES®**



## DISPATCH™ LITTER & RECYCLING RECEPTACLE

PRODUCT DATA

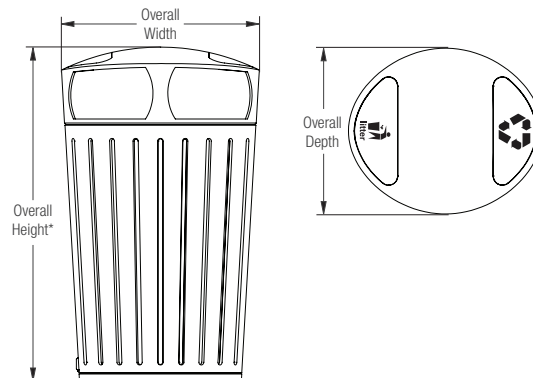
**Dispatch** combines distinctive design, robust materials and a versatile array of waste stream management options. Receptacles are made of heavy cast aluminum with a hinged side-access door for easy servicing. Available with 36- and 45-gallon capacities in single-stream and split-stream versions, openings can be configured for the following: litter-only, bottles & cans-only, paper-only, or for combined litter and recycling. Attractive, durable and highly adaptable, Dispatch is an ideal litter and recycling solution for any public space.

### MATERIAL & CONSTRUCTION DETAILS

### INSTALLATION & MAINTENANCE

BODY AND LID	CONFIGURATION OPTIONS	LID GRAPHICS	BASES & INSTALLATION
<ul style="list-style-type: none"> <li>Body and lid are made of solid cast aluminum with a powdercoat finish</li> <li>See the Forms+Surfaces Powdercoat Chart for details. Custom RAL colors are available for an upcharge.</li> <li>Due to the inherent nature of metal castings, gloss powdercoats are not offered for cast components.</li> </ul>	<ul style="list-style-type: none"> <li>Receptacles are available in 36- and 45-gallon configurations.</li> <li>Single-stream receptacles use a single 36- or 45-gallon liner.</li> <li>Split-stream configurations are divided by an internal baffle plate to create two separate litter and/or recycling streams. 36-gallon receptacles use two 16-gallon half liners; 45-gallon receptacles use two 20-gallon half liners.</li> </ul>	<ul style="list-style-type: none"> <li>Instructional graphics are applied to two sign plates, which are mechanically fastened to the top of each lid.</li> <li>Sign plates are stainless steel with a Satin finish; instructional graphics are black vinyl.</li> </ul>	<ul style="list-style-type: none"> <li>Receptacles can be used freestanding with a TENSL ultra high performance concrete (UHPC) base or surface mounted with or without a TENSL UHPC base.</li> <li>Anchors and stainless steel mounting screws are provided for surface mounting.</li> </ul>
RECYCLING OPENINGS	SIDE ACCESS DOOR AND LATCH	LINERS	MAINTENANCE
<ul style="list-style-type: none"> <li>Openings can be limited to a particular type of recyclable. Along with the standard full litter opening, round bottles &amp; cans and slotted paper openings are available. See details on page 2.</li> </ul>	<ul style="list-style-type: none"> <li>Receptacle opens in a clamshell fashion with half of the cast body serving as a swing-out door.</li> <li>Two stainless steel latch options are available: lift lever or screwdriver-operated recessed access.</li> </ul>	<ul style="list-style-type: none"> <li>Both single-stream and split-stream receptacles use independent, replaceable internal liners designed to be used with or without plastic litter bags.</li> <li>Liners are molded from durable black polyethylene with UL94HB fire rating</li> </ul>	<ul style="list-style-type: none"> <li>Metal and TENSL UHPC surfaces can be cleaned as needed using a soft cloth or brush with warm water and a mild detergent. Avoid abrasive cleaners.</li> </ul>

### NOMINAL DIMENSIONS



MODEL	OVERALL HEIGHT*	OVERALL WIDTH	OVERALL DEPTH	WEIGHT	INTERNAL CAPACITY
SLDIS-136	43.0" (1092 mm)	25.5" (648 mm)	21.8" (554 mm)	112 lbs (50 kg)	36 gallons (136 liters)
SLDIS-216	43.0" (1092 mm)	25.5" (648 mm)	21.8" (554 mm)	112 lbs (50 kg)	32 (2 x 16) gallons (121 liters)

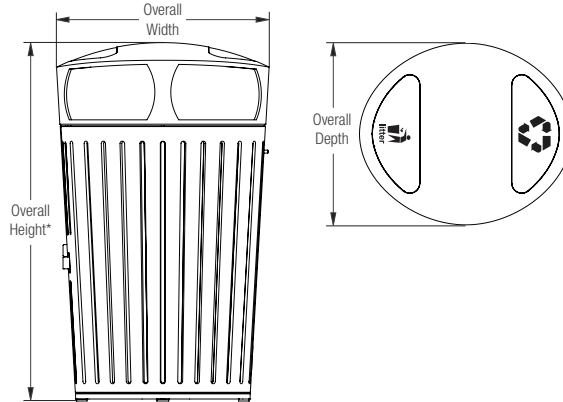
\*NOTE: TENSL UHPC base adds 3" to overall height.



## DISPATCH™ LITTER & RECYCLING RECEPTACLE

PRODUCT DATA

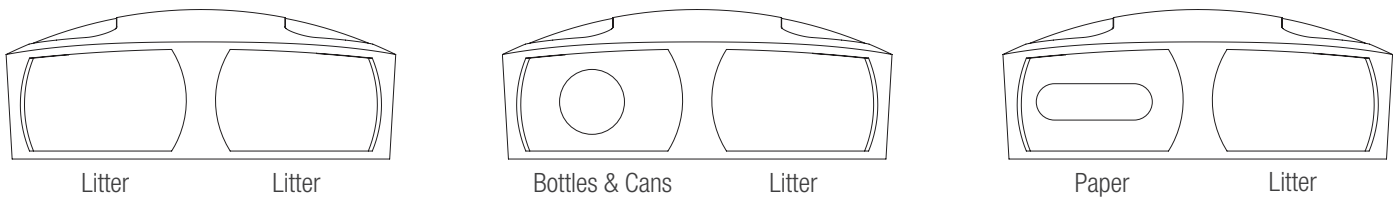
### NOMINAL DIMENSIONS (Continued)



MODEL	OVERALL HEIGHT*	OVERALL WIDTH	OVERALL DEPTH	WEIGHT	INTERNAL CAPACITY
SLDIS-145	45.3" (1151 mm)	26.8" (681 mm)	22.9" (582 mm)	125 lbs (57 kg)	45 gallons (170 liters)
SLDIS-220	45.3" (1151 mm)	26.8" (681 mm)	22.9" (582 mm)	125 lbs (57 kg)	40 (2 x 20) gallons (150 liters)

\*NOTE: TENSL UHPC base adds 3" to overall height.

### LID OPENING OPTIONS



OPENING	DIMENSIONS (36 GALLON)	DIMENSIONS (45 GALLON)
Litter	13" (330 mm) x 6.5" (165 mm)	13.75" (349 mm) x 7.0" (178 mm)
Bottles & Cans	4.5" (114 mm) x 4.5" (114 mm)	4.5" (114 mm) x 4.5" (114 mm)
Paper	8.0" (203 mm) x 2.5" (63 mm)	8.0" (203 mm) x 2.5" (63 mm)

### STANDARD GRAPHICS





## DISPATCH™ LITTER & RECYCLING RECEPTACLE

PRODUCT DATA

### ENVIRONMENTAL CONSIDERATIONS

- Please refer to the Dispatch Environmental Data Sheet for detailed environmental impact information.
- Dispatch Receptacle has up to 90% recycled content.
- All components are fully recyclable.
- Rustproof cast aluminum construction ensures a long product life cycle.
- Standard powdercoat finishes are no-VOC; non-standard powdercoat finishes are no- or low-VOC depending on color.
- Low maintenance and easy to disassemble.

### MODEL NUMBERS AND DESCRIPTIONS

MODEL	DESCRIPTION
SLDIS-136	Dispatch Receptacle, 36-gallon, single-stream, one 36-gallon liner
SLDIS-216	Dispatch Receptacle, 36-gallon, split-stream, two 16-gallon half liners
SLDIS-145	Dispatch Receptacle, 45-gallon, single-stream, one 45-gallon liner
SLDIS-220	Dispatch Receptacle, 45-gallon, split-stream, two 20-gallon half liners

### PRODUCT OPTIONS

The following options are available for an upcharge

Premium Texture Colors from Forms+Surfaces Powdercoat Chart	Add TENSU UHPC base
Custom RAL powdercoat color	Add recycling openings

**TO ORDER SPECIFY:** Quantity, model, powdercoat color(s), lid graphics, recycle openings (optional), latch option, freestanding or surface mount, with or without concrete base.