



**OLYMPIA™ BIKE RACK**

PRODUCT DATA



PRODUCT & PRICING INFO

 **STREETSCAPES**  
303.398.7040 [STREET-SCAPES.COM](http://STREET-SCAPES.COM)

**FORMS+SURFACES®**



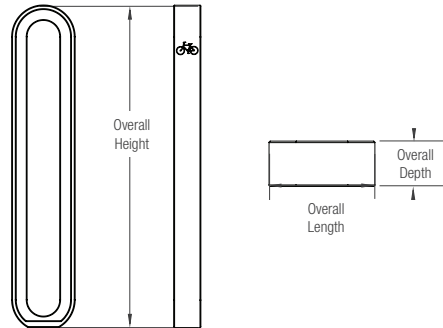
The **Olympia Bike Rack's** smooth, fluid curves combined with the strength that comes with solid corrosion-resistant cast aluminum construction make this rack a perfect choice for parks, corporate campuses and more. Its stand-alone, space-saving design allows for an unlimited number of configuration options for ultimate design flexibility.

**MATERIAL & FINISHES**

**INSTALLATION & MAINTENANCE**

MATERIAL	FINISHES	GUIDELINES & SECURITY	INSTALLATION	MAINTENANCE
<ul style="list-style-type: none"> <li>Body is made of corrosion-resistant cast aluminum with a powdercoat finish.</li> </ul>	<ul style="list-style-type: none"> <li>See the Forms+Surfaces Powdercoat Chart for details. Custom RAL colors are available for an upcharge.</li> <li>Due to the inherent nature of metal castings, gloss powdercoats are not offered for cast components.</li> </ul>	<ul style="list-style-type: none"> <li>Meets Association of Pedestrian and Bicycle Professionals (APBP) guidelines.</li> <li>A locking point detail and mounting configurations that meet APBP guidelines can be found on page 2 of this document.</li> </ul>	<ul style="list-style-type: none"> <li>Olympia Bike Racks must be surface mounted with embedded anchors. Stainless steel anchors and tamper-resistant stainless steel screws are included.</li> </ul>	<ul style="list-style-type: none"> <li>Metal surfaces can be cleaned as needed using a soft cloth or brush with warm water and a mild detergent. Avoid abrasive cleaners.</li> </ul>

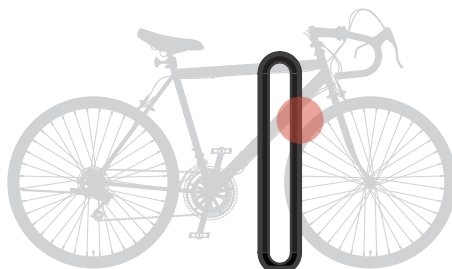
**NOMINAL DIMENSIONS**



OVERALL LENGTH	OVERALL DEPTH	OVERALL HEIGHT	WEIGHT
7" (178 mm)	3" (76 mm)	35.6" (904 mm)	22.2 lbs (10.1 kg)

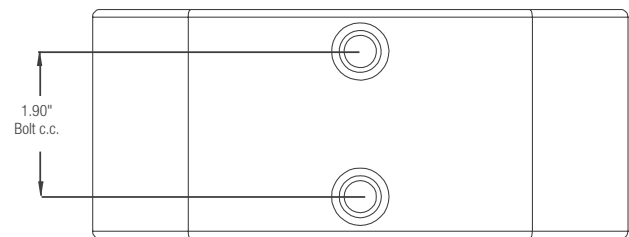
**LOCKING POINT AND CONFIGURATION EXAMPLES**

The Olympia Bike Rack was designed to allow for a multitude of locking point and configuration options to meet your individual needs. Please note that for optimal performance, Forms+Surfaces recommends a 36" center-to-center placement. See diagrams below and the separate installation instructions document for more details.



A standard U-lock can be locked at this location to meet APBP guidelines for security and functionality.

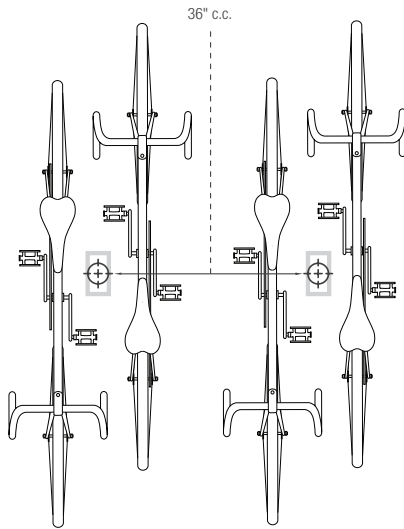
*LOCKING POINT EXAMPLE*



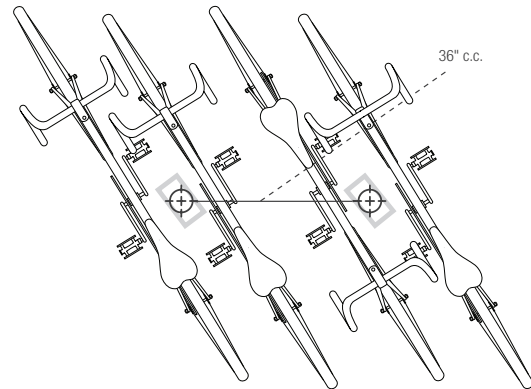
*MOUNTING / HARDWARE DETAIL*



**LOCKING POINT AND CONFIGURATION EXAMPLES (Continued)**



CONFIGURATION EXAMPLE A



CONFIGURATION EXAMPLE B

**ENVIRONMENTAL CONSIDERATIONS**

- Please refer to the Olympia Bike Rack Environmental Data Sheet for detailed environmental impact information.
- Olympia's aluminum casting has up to 95% recycled content and is fully recyclable.
- Standard powdercoat finishes are no-VOC; non-standard powdercoat finishes are no- or low-VOC, depending on color.
- Low maintenance.

**MODEL NUMBER AND DESCRIPTION**

MODEL	DESCRIPTION
SKOLY	Olympia Bike Rack

**PRODUCT OPTIONS**

The following options are available for an upcharge

Premium Texture Colors from Forms+Surfaces Powdercoat Chart
Custom RAL powdercoat color

**TO ORDER SPECIFY:** Quantity, model, powdercoat color for body casting.