



TRIO™ BIKE RACK

PRODUCT DATA



PRODUCT & PRICING INFO

STREETSCAPES
303.398.7040 STREET-SCAPES.COM

FORMS+SURFACES®



TRIO™ BIKE RACK

PRODUCT DATA

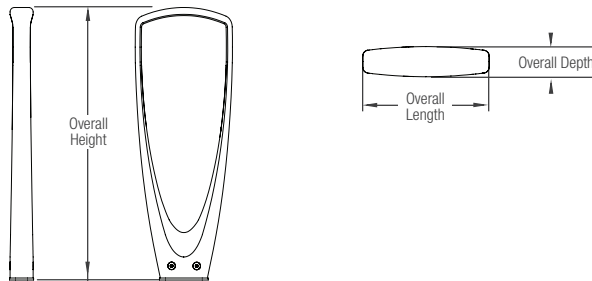
The **Trio Bike Rack** is the perfect complement to our Trio product line. Providing an excellent opportunity for design continuity, the Trio Bike Rack draws on the same triangular shape and exaggerated void seen in both our Trio Bench and Trio Lighting. Contemporary in design, its simple yet sculptural form allows it to be integrated into a myriad of settings.

MATERIAL & FINISHES

INSTALLATION & MAINTENANCE

MATERIAL	FINISHES	GUIDELINES & SECURITY	INSTALLATION	MAINTENANCE
<ul style="list-style-type: none"> Body is made of corrosion-resistant cast aluminum with powdercoat finish. 	<ul style="list-style-type: none"> See the Forms+Surfaces Powdercoat Chart for details. Custom RAL colors are available for an upcharge. Due to the inherent nature of metal castings, gloss powdercoats are not offered for cast components. 	<ul style="list-style-type: none"> Meets Association of Pedestrian and Bicycle Professionals (APBP) guidelines. A locking point detail and mounting configurations that meet APBP guidelines can be found on pages 1 and 2 of this document. 	<ul style="list-style-type: none"> Trio Bike Racks must be surface mounted with embedded anchors. Stainless steel anchors and tamper-resistant stainless steel screws are included. 	<ul style="list-style-type: none"> Metal surfaces can be cleaned as needed using a soft cloth or brush with warm water and a mild detergent. Avoid abrasive cleaners.

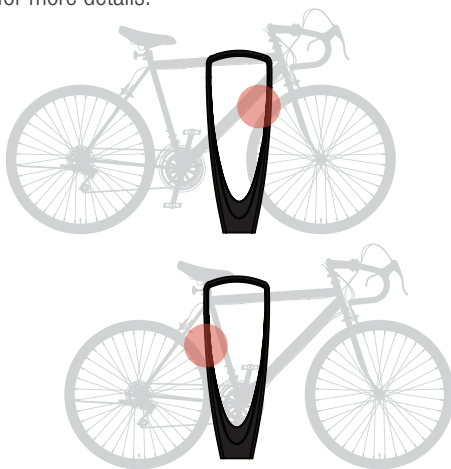
NOMINAL DIMENSIONS



OVERALL LENGTH	OVERALL DEPTH	OVERALL HEIGHT	WEIGHT
12" (305 mm)	2.75" (70 mm)	33.5" (851 mm)	25 lbs (11.3 kg)

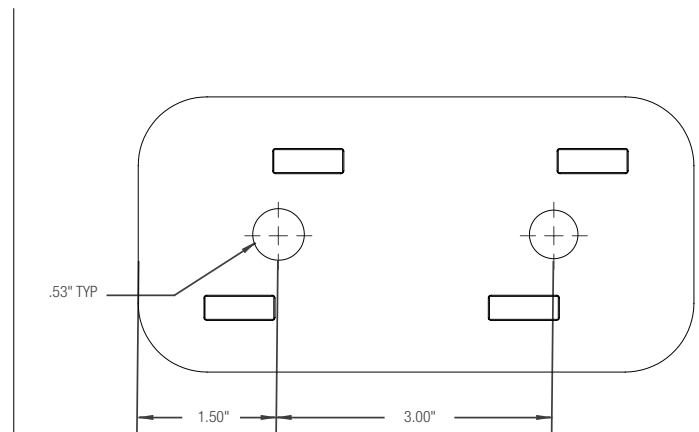
LOCKING POINT AND CONFIGURATION EXAMPLES

The Trio Bike Rack was designed to allow for a multitude of locking point and configuration options to meet your individual needs. Please note that for optimal performance, Forms+Surfaces recommends a 36" center-to-center placement. See diagrams below and the separate installation instructions document for more details.



A standard U-lock can be locked at this location to meet APBP guidelines for security and functionality.

LOCKING POINT EXAMPLE



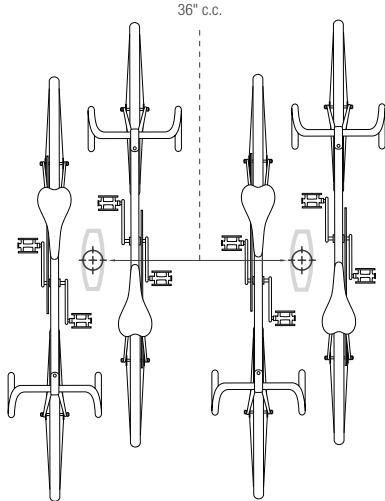
MOUNTING / HARDWARE DETAIL

FORMS+SURFACES®

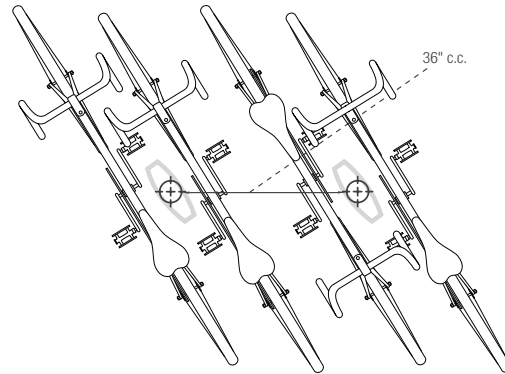


TRIO™ BIKE RACK

LOCKING POINT AND CONFIGURATION EXAMPLES (Continued)



CONFIGURATION EXAMPLE A



CONFIGURATION EXAMPLE B

ENVIRONMENTAL CONSIDERATIONS

- Please refer to the Trio Bike Rack Environmental Data Sheet for detailed environmental impact information.
- Trio aluminum casting has up to 95% recycled content and is fully recyclable.
- Standard powdercoat finishes are no-VOC; non-standard powdercoat finishes are no- or low-VOC, depending on color.
- Low maintenance.

MODEL NUMBER AND DESCRIPTION

MODEL	DESCRIPTION
SKTRO	Trio Bike Rack

PRODUCT OPTIONS

The following options are available for an upcharge

Premium Texture Colors from Forms+Surfaces Powdercoat Chart
Custom RAL powdercoat color

TO ORDER SPECIFY: Quantity, model and powdercoat color for body casting.