



# BAY CITY™ BIKE RACK

PRODUCT DATA



PRODUCT & PRICING INFO

 **STREETSCAPES**  
303.398.7040 [STREET-SCAPES.COM](http://STREET-SCAPES.COM)

**FORMS+SURFACES®**



## BAY CITY™ BIKE RACK

PRODUCT DATA

The **Bay City Bike Rack's** simple, angled design allows for a wide variety of grouped configurations perfect for adding visual yet functional impact to any environment. Orienting racks in a single direction affords the most efficient space layout, while an alternating plan allows for multiple locking points when high levels of security are required. Solid corrosion-resistant cast aluminum construction provides exceptional durability for heavy use. Highly configurable modern and distinctive – Bay City can be used to seamlessly blend into or be a focal point of any landscape.

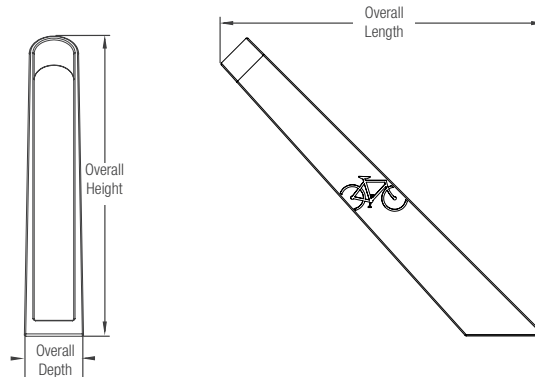
### MATERIAL & FINISHES

MATERIAL	FINISHES
<ul style="list-style-type: none"> <li>Body is made of corrosion-resistant cast aluminum with powdercoat finish</li> </ul>	<ul style="list-style-type: none"> <li>See the Forms+Surfaces Powdercoat Chart for details. Custom RAL colors are available for an upcharge.</li> <li>Due to the inherent nature of metal castings, gloss powdercoats are not offered for cast components.</li> </ul>

### INSTALLATION & MAINTENANCE

GUIDELINES & SECURITY	INSTALLATION	MAINTENANCE
<ul style="list-style-type: none"> <li>Meets Association of Pedestrian and Bicycle Professionals (APBP) guidelines.</li> <li>A locking point detail and mounting configurations that meet APBP guidelines can be found on pages 1 and 2 of this document.</li> </ul>	<ul style="list-style-type: none"> <li>Bay City Bike Racks must be surface mounted with embedded anchors. Stainless steel anchors and tamper-resistant stainless steel screws are included.</li> </ul>	<ul style="list-style-type: none"> <li>Metal surfaces can be cleaned as needed using a soft cloth or brush with warm water and a mild detergent. Avoid abrasive cleaners.</li> </ul>

### NOMINAL DIMENSIONS



OVERALL LENGTH	OVERALL DEPTH	OVERALL HEIGHT	WEIGHT
26.5" (673 mm)	4.85" (123 mm)	24.5" (622 mm)	17 lbs (7.7 kg)

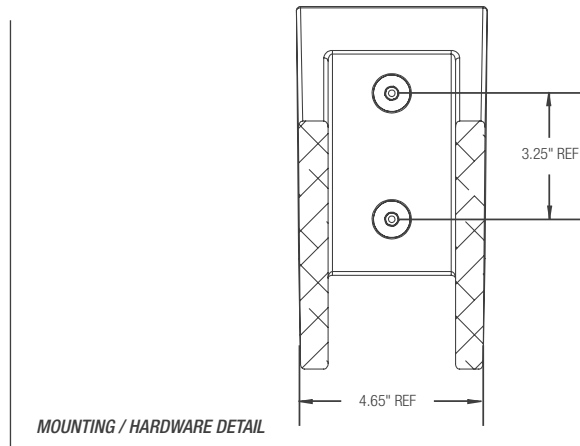
### LOCKING POINT AND CONFIGURATION EXAMPLES

The Bay City Bike Rack was designed to allow for a multitude of locking point and configuration options to meet your individual needs. Please note that for optimal performance, Forms+Surfaces recommends a 36" center-to-center placement. See diagrams below and the separate installation instructions document for more details.



A standard U-lock can be locked at this location to meet APBP guidelines for security and functionality.

**LOCKING POINT EXAMPLE**



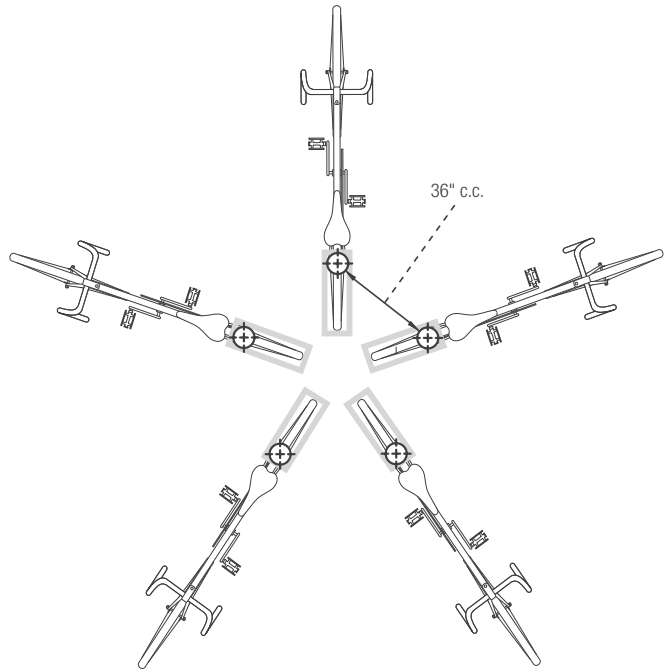
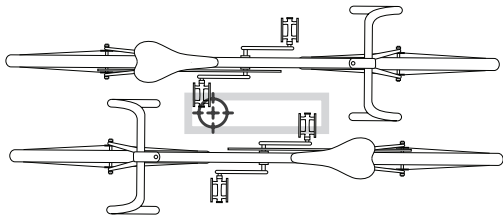
**MOUNTING / HARDWARE DETAIL**



**BAY CITY™ BIKE RACK**

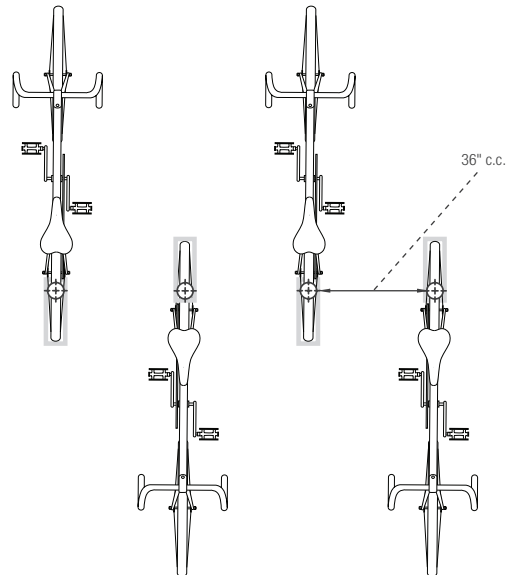
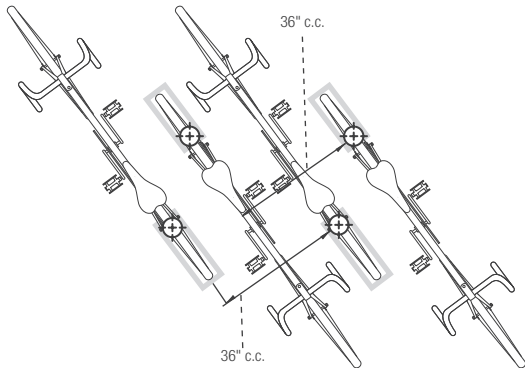
PRODUCT DATA

LOCKING POINT AND CONFIGURATION EXAMPLES (Continued)



CONFIGURATION EXAMPLE A

CONFIGURATION EXAMPLE B



CONFIGURATION EXAMPLE C

CONFIGURATION EXAMPLE D



## BAY CITY™ BIKE RACK

PRODUCT DATA

### ENVIRONMENTAL CONSIDERATIONS

- Please refer to the Bay City Bike Rack Environmental Data Sheet for detailed environmental impact information.
- Bay City aluminum casting has up to 95% recycled content and is fully recyclable.
- Standard powdercoat finishes are no-VOC; non-standard powdercoat finishes are no- or low-VOC depending on color.
- Low maintenance.

### MODEL NUMBER AND DESCRIPTION

MODEL	DESCRIPTION
SKBAY	Bay City Bike Rack

### PRODUCT OPTIONS

The following options are available for an upcharge

Premium Texture Colors from Forms+Surfaces Powdercoat Chart
Custom RAL powdercoat color

**TO ORDER SPECIFY:** Quantity, model, powdercoat color for body casting.