



HELIO™ M40/K8 & M50/K12 SECURITY BOLLARD, SERIES 1200

PRODUCT DATA



PRODUCT & PRICING INFO

 **STREETSCAPES**
303.398.7040 STREET-SCAPES.COM

FORMS+SURFACES®



HELIO™ M40/K8 & M50/K12 SECURITY BOLLARD, SERIES 1200

PRODUCT DATA

Helio M40/K8 & M50/K12 Security Bollards offer robust protection for public spaces of all kinds. Simply elegant in stainless steel, fixtures 11.5" in diameter have an embedded security core and are available in illuminated and non-illuminated designs. Illuminated bollards feature a frosted acrylic lens, 180° or 360° light distribution, and Cree® LEDs in 3000K warm white and 4000K neutral white. The bollards provide downward-facing light to help minimize light pollution and glare. For expanded performance, the Helio family also includes Helio M30/K4 Security Bollards 9.25" in diameter (Series 900) in illuminated and non-illuminated designs, and Helio Bollards 6" in diameter (Series 600) in illuminated, non-illuminated and security core variations.

MATERIAL & CONSTRUCTION DETAILS

CONFIGURATIONS	LED LAMPS & DRIVER	INSTALLATION
<ul style="list-style-type: none"> Series 1200 Bollard dimensions are 40" high x 11.5" diameter. Illuminated security bollards are available with 180° and 360° light distribution options. Non-illuminated versions are also available. Series 1200 Helio Bollards without security cores are also available (illuminated or non-illuminated). 	<ul style="list-style-type: none"> Custom LED light engine with Cree® LEDs. 3000K warm white and 4000K neutral white color temperatures. Less than 5% upward lumen output. LED driver input voltage is 120-277VAC, -30°C minimum starting temperature. Driver has reverse-phase, forward-phase, and 0-10V dimming capabilities. LED driver certifications include: IP64 enclosure and Class 2 rated output (UL8750). 	<ul style="list-style-type: none"> Security bollards have an embedded security core. Non-security bollards are surface mounted with J-bolts. Installation of a surge protector as part of each unit's wiring is recommended. Necessary hardware is included for all mounting options. Templates are available upon request. Refer to installation instructions and foundation details for security rating requirements.
MATERIALS & FINISHES <ul style="list-style-type: none"> Illuminated bollards have a tubular stainless steel column, frosted acrylic lens, and a stainless steel head cap. Non-illuminated bollards are tubular stainless steel with welded stainless steel cap. Standard stainless steel finish is Satin. For optional powdercoat colors see the Forms+Surfaces Powdercoat Chart. Custom RAL colors are available for an upcharge. 		MAINTENANCE <ul style="list-style-type: none"> Metal surfaces can be cleaned as needed using a soft cloth or brush with warm water and a mild detergent. Avoid abrasive cleaners.

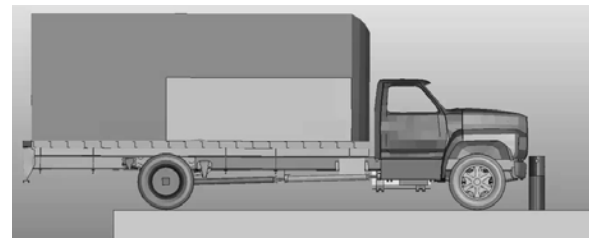
M40-P1/K8 AND M50-P1/K12 SECURITY CORE

Site security is a major concern in today's unpredictable world. Public and private buildings, government facilities, campuses and public parks are all susceptible to accidental, as well as deliberate, vehicle infringement. Design professionals, city planners, facilities managers and engineers must now be increasingly sensitive to the safety and security requirements of public and private spaces. Security bollards placed at ingress points are an excellent way to guard against vehicle infringement while allowing pedestrian access.

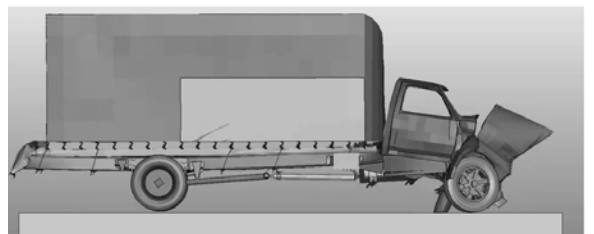
Most security bollards have taken the form of generic pipes and cylinders that offered little in the way of design or lighting functionality. Forms+Surfaces' Helio M40-P1/K8 and M50-P1/K12 Security Bollards bring pre-engineered and fully-tested security cores to our Helio line to offer beautiful and efficient lighting bollards that also meet the stringent high-impact crash requirements normally attained only with unattractive pipe barriers.

Forms+Surfaces' security bollards have been tested using a Finite Element Analysis (FEA) by a professional engineering consultant. FEA is a software-based tool commonly used in the automotive industry and used extensively for crash test simulations. All of our bollards with the security solution option were tested and passed a very demanding set of impact criteria. Tests were performed using a bollard set in permanent concrete footings and struck by a vehicle at a 90-degree impact. The impact simulation found the bollards to be successful in stopping a 15,000 lb. vehicle traveling at a minimum test velocity of 40 (M40) or 50 (M50) mph in less than 3.3 feet (1 meter).

Our permanently embedded security cores are available for both illuminated and non-illuminated bollards. Please contact us to discuss design and installation considerations for Helio bollards with security cores.



Crash scenario with 15,000 lb pickup truck approaching M50 embedded bollard system at 50 mph



Full-scale crash immediately after impact

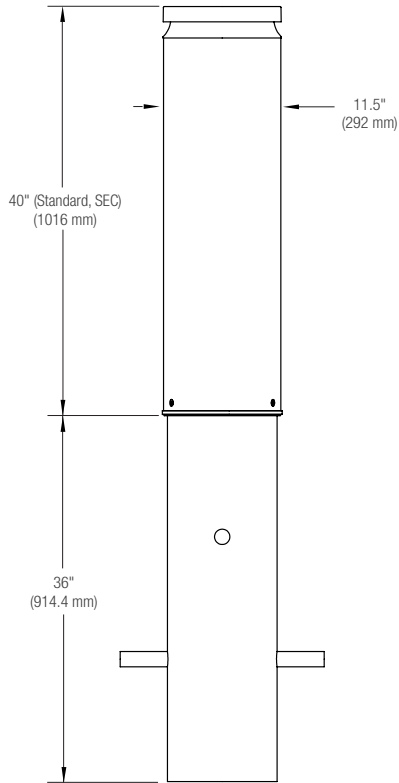


HELIO™ M40/K8 & M50/K12 SECURITY BOLLARD, SERIES 1200

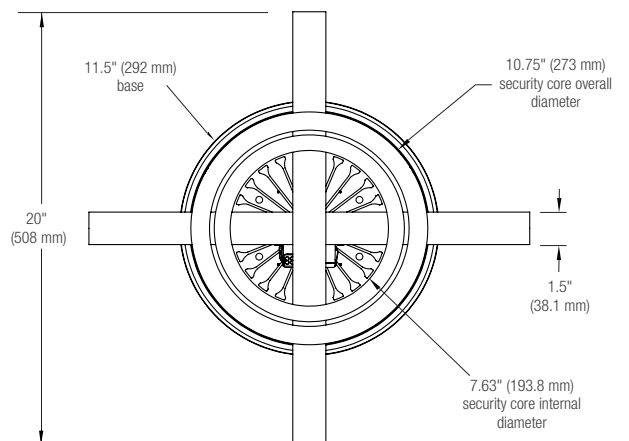
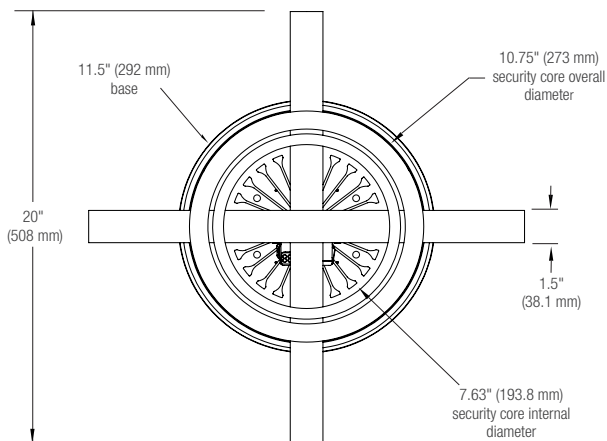
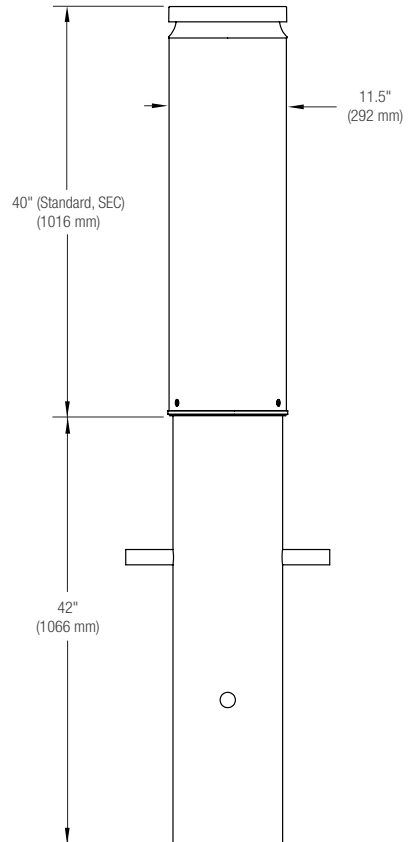
PRODUCT DATA

NOMINAL DIMENSIONS

EMBEDDED M40/K8 SECURITY CORE, ILLUMINATED



EMBEDDED M50/K12 SECURITY CORE, ILLUMINATED



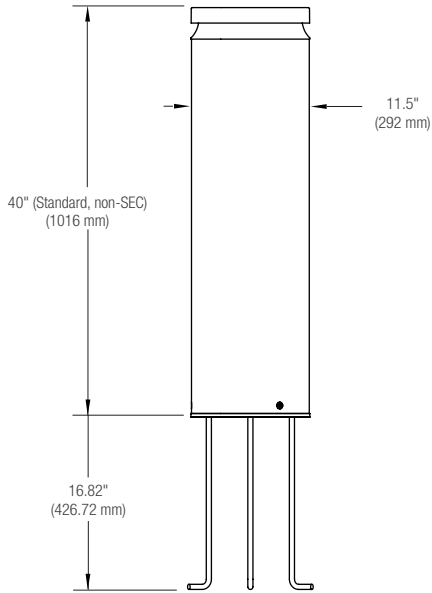


HELIO™ M40/K8 & M50/K12 SECURITY BOLLARD, SERIES 1200

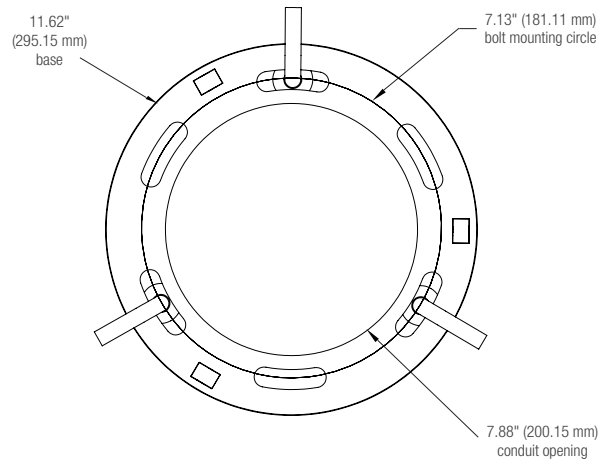
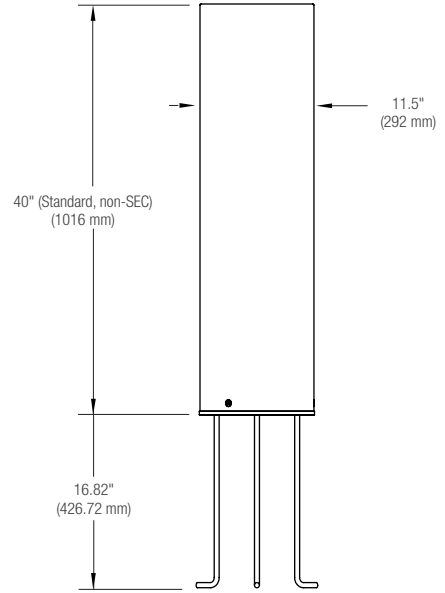
PRODUCT DATA

NOMINAL DIMENSIONS, CONTINUED

SURFACE MOUNT WITH J-BOLTS, ILLUMINATED



SURFACE MOUNT WITH J-BOLTS, NON-ILLUMINATED





HELIO™ M40/K8 & M50/K12 SECURITY BOLLARD, SERIES 1200

PRODUCT DATA

LIGHT ENGINE DESCRIPTION

LED ENGINE	LIGHT DISTRIBUTION	DESCRIPTION	LUMINAIRE LUMENS*	B.U.G. RATING	STARTING TEMPERATURE °C
3000K LED	360°	40W LED driver	700	B0-U1-G0	-30
4000K LED	360°	40W LED driver	700	B0-U1-G0	-30
3000K LED	180°	20W LED driver	260	B0-U1-G0	-30
4000K LED	180°	20W LED driver	260	B0-U1-G0	-30

Luminaire lumens represent the absolute photometry for the luminaire, and indicates the lumens out of the entire fixture.

CERTIFICATION

- ETL and C-ETL listed for wet locations.

ENVIRONMENTAL CONSIDERATIONS

- Please refer to the Helio M40/K8 & M50/K12 Security Bollard, Series 1200 Environmental Data Sheets for detailed environmental impact information.
- Metal components have a long life cycle and are 100% recyclable.
- Standard powdercoat finishes are no-VOC; non-standard powdercoat finishes are no- or low-VOC, depending on color.
- Low maintenance.

MODEL NUMBERS AND DESCRIPTIONS

MODEL	DESCRIPTION
LBLHO-1203-M40	Helio M40/K8 Security Bollard, Series 1200, illuminated
LBLHO-1203-M50	Helio M50/K12 Security Bollard, Series 1200, illuminated
LBLHO-1203-NM40	Helio M40/K8 Security Bollard, Series 1200, non-illuminated
LBLHO-1203-NM50	Helio M50/K12 Security Bollard, Series 1200, non-illuminated
LBHLO-1203	Helio Bollard, Series 1200, illuminated (non-security)
LBHLO-1203-N	Helio Bollard, Series 1200, non-illuminated (non-security)

PRODUCT OPTIONS

The following options are available for an upcharge

Add powdercoat color from Forms+Surfaces Powdercoat Chart	Custom RAL powdercoat color
---	-----------------------------

TO ORDER SPECIFY: Quantity, finish, color temperature, and light distribution option.