



**3RIVERS™ PEDESTRIAN**

PRODUCT DATA



PRODUCT & PRICING INFO

 **STREETSCAPES**  
303.398.7040 [STREET-SCAPES.COM](http://STREET-SCAPES.COM)

**FORMS+SURFACES®**



## 3RIVERS™ PEDESTRIAN

PRODUCT DATA

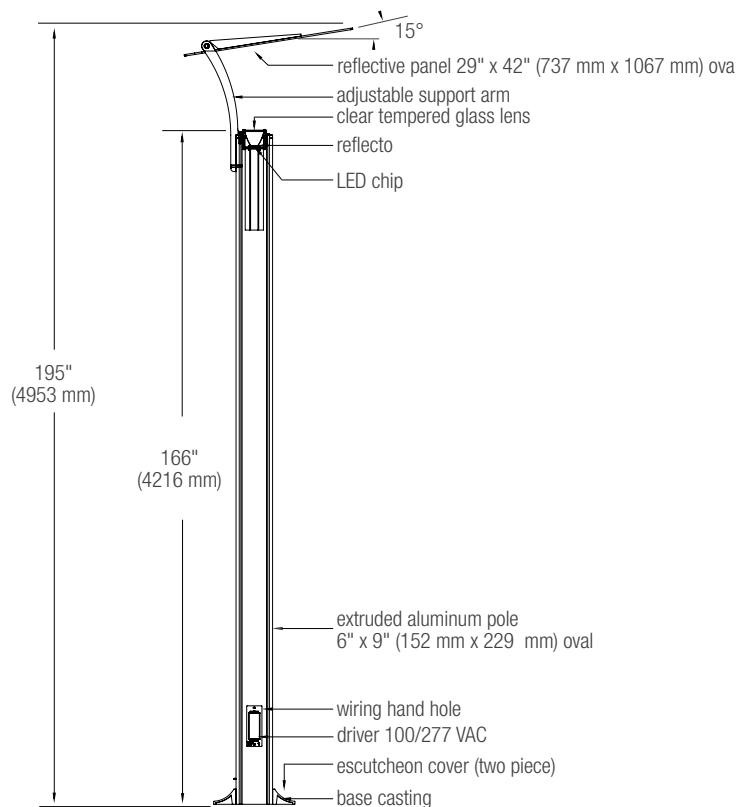
**3Rivers** is an indirect pedestrian fixture whose beautiful design is both dramatic and understated. The oval cross-section pole and oval-shaped reflective panel gives 3Rivers a clean, streamlined look that's at home in a wide range of architectural and landscape settings. All components are rustproof aluminum. Striking in form and exceptionally durable, 3Rivers is a great lighting option for walkways, parks, malls, campuses, and other public spaces.

### MATERIAL & CONSTRUCTION DETAILS

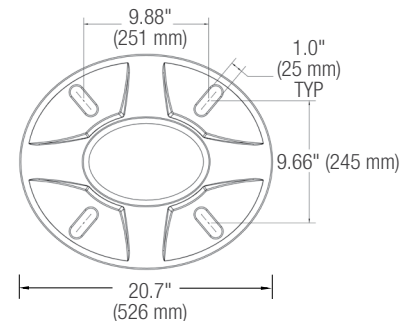
### INSTALLATION & MAINTENANCE

POLE	FINISH	LAMP	INSTALLATION
<ul style="list-style-type: none"> <li>6" x 9" (152 mm x 229 mm) oval-shaped heavy wall extruded aluminum with gasketed hand hole. Overall height of pole is 166" (4216 mm).</li> </ul>	<ul style="list-style-type: none"> <li>See the Forms+Surfaces Powdercoat Chart for details. Custom RAL colors are available for an upcharge.</li> <li>Due to the inherent nature of metal castings, gloss powdercoats are not offered for cast components.</li> </ul>	<ul style="list-style-type: none"> <li>Features advanced LED technology with 50W, 3000K warm white and 4000K neutral white LEDs.</li> <li>LED chip is mounted to an extruded aluminum heat sink.</li> </ul>	<ul style="list-style-type: none"> <li>0.75" thick structural aluminum base plate with cast aluminum base cover and 3/4"-10x24" galvanized steel J-bolt anchors.</li> <li>Installation of a surge protector as part of each units wiring is recommended.</li> <li>Necessary hardware is included. Template is available upon request.</li> </ul>
REFLECTIVE PANEL	WEIGHT	DRIVER	MAINTENANCE
<ul style="list-style-type: none"> <li>29" x 42" (737 mm x 1067 mm) 1/2" (13 mm) thick oval-shaped aluminum with integral drip edge. Bottom surface is finished in white for maximum reflectivity. Panel is supported by adjustable cast aluminum arm (standard angle is 15° above horizontal).</li> </ul>	<ul style="list-style-type: none"> <li>216 lbs (98 kg)</li> </ul>	<ul style="list-style-type: none"> <li>LED driver input power is 100/277 VAC.</li> <li>LED driver certifications include IP66 &amp; NEMA6 (waterproof) enclosure, and Class 2 rated output (UL8750)</li> </ul>	<ul style="list-style-type: none"> <li>Metal surfaces can be cleaned as needed using a soft cloth or brush with warm water and a mild detergent. Avoid abrasive cleaners.</li> </ul>

### NOMINAL DIMENSIONS



### BASE PLATE MOUNTING DETAIL





## 3RIVERS™ PEDESTRIAN

### LAMP DESCRIPTIONS

LAMP	DESCRIPTION	COLOR TEMPERATURE	LUMINAIRE LUMENS*	B.U.G. RATING	STARTING TEMPERATURE °C
LED 3000K	50W LED chip	3000K	2392	B1-U2-G1	-30
LED 4000K	50W LED chip	4000K	2705	B1-U3-G1	-30

\*Luminaire lumens represents the absolute photometry for the luminaire, and indicates the lumens out of the entire fixture.

### CERTIFICATION

- UL and C-UL listed for wet locations.
- ETL and C-ETL listed for wet locations.

### ENVIRONMENTAL CONSIDERATIONS

- Please refer to the 3Rivers Pedestrian Environmental Data Sheet for detailed environmental impact information.
- 3Rivers Pedestrian has a high recycled content and is highly recyclable.
- Powdercoat finishes are no- or low-VOC depending on color.
- Low maintenance.

### MODEL NUMBERS AND DESCRIPTIONS

MODEL	DESCRIPTION
LPRIV-LED	3Rivers Pedestrian, LED

### PRODUCT OPTIONS

The following options are available for an upcharge

Premium Texture Colors from Forms+Surfaces Powdercoat Chart
Custom RAL powdercoat color