



CORDIA™ PEDESTRIAN

PRODUCT DATA



PRODUCT & PRICING INFO

 **STREETSCAPES**
303.398.7040 STREET-SCAPES.COM

FORMS+SURFACES®

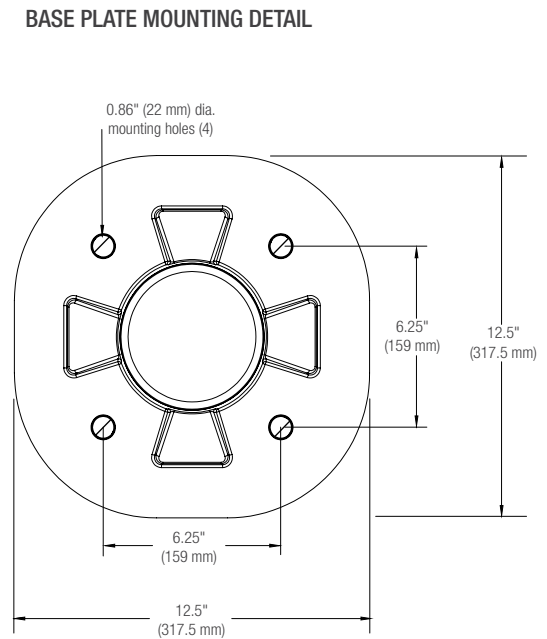
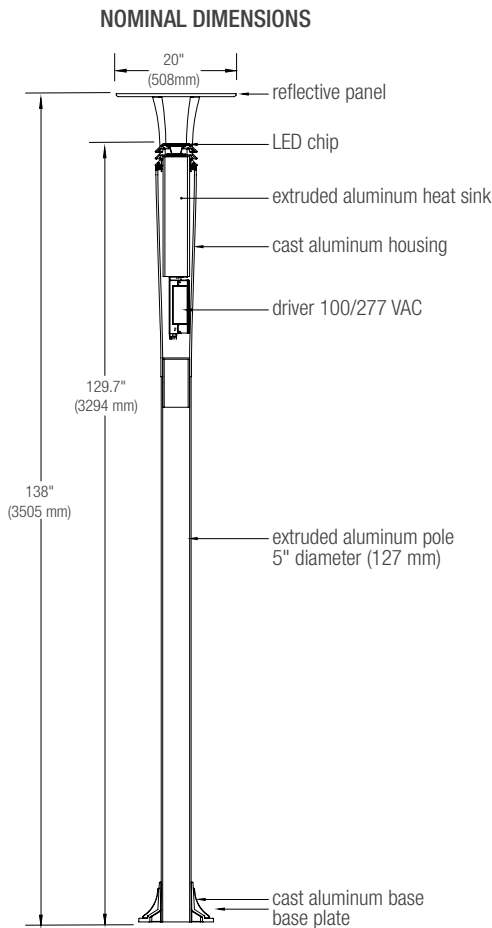


Cordia Pedestrian Lighting has a graceful design that blends a unique sense of style with optimal light output and LED performance. Fixture body and base are durable aluminum with a powdercoat finish; lens is tempered glass. Cordia Pedestrian Lighting coordinates with Cordia Bollards and the rest of the Cordia line and can be used to bring a contemporary twist to even the most traditional landscape settings

MATERIAL & CONSTRUCTION DETAILS

INSTALLATION & MAINTENANCE

CONSTRUCTION	LED & DRIVER	INSTALLATION
<ul style="list-style-type: none"> • Head consists of corrosion-resistant cast aluminum and a tempered glass lens. • Body is made from corrosion-resistant cast aluminum with a powdercoat finish. • Base is made from corrosion-resistant aluminum with a powdercoat finish. • 110 lbs. 	<ul style="list-style-type: none"> • Features advanced LED technology with 50W, 3000K warm white or 4000K neutral white LED. • LED chip is mounted to an extruded aluminum heat sink. • LED driver input power is 100 - 277 VAC. • Driver has 0-10V dimming capabilities. 	<ul style="list-style-type: none"> • 0.75" thick structural aluminum base plate with cast aluminum base cover and 3/4"-10x24" galvanized steel J-bolt anchors. • Installation of a surge protector as part of each units wiring is recommended. • Necessary hardware is included. Templates available upon request.
FINISH	LENS, VISIBILITY & SHIELD OPTIONS	MAINTENANCE
<ul style="list-style-type: none"> • See the Forms+Surfaces Powdercoat Chart for details. Custom RAL colors are available for an upcharge. • Due to the inherent nature of metal castings, gloss powdercoats are not offered for cast components. 	<ul style="list-style-type: none"> • Includes a tempered glass lens. • Pedestrian emits light with a 360° visibility. 	<ul style="list-style-type: none"> • Metal surfaces can be cleaned as needed using a soft cloth or brush with warm water and a mild detergent. Avoid abrasive cleaners.





CORDIA™ PEDESTRIAN

PRODUCT DATA

LED DESCRIPTION

LED ENGINE	DESCRIPTION	COLOR TEMPERATURE	LUMINAIRE LUMENS*	B.U.G. RATING	STARTING TEMPERATURE °C
3000K LED	50W	3000K	2265	B1-U2-G1	-30
4000K LED	50W	4000K	2561	B1-U2-G1	-30

*LED lumens represents the absolute photometry for the luminaire, and indicates the lumens out of the entire fixture.

CERTIFICATION

- ETL and C-ETL listed for wet locations.

ENVIRONMENTAL CONSIDERATIONS

- Please refer to the Cordia Pedestrian Lighting Environmental Data Sheets for detailed environmental impact information.
- Metal components have a long life cycle and are 100% recyclable.
- Standard powdercoat finishes are no-VOC; non-standard powdercoat finishes are no- or low-VOC, depending on color.
- Low maintenance; easy to disassemble.

MODEL NUMBERS AND DESCRIPTIONS

MODEL	DESCRIPTION
LPCOR-LED	Cordia Pedestrian, LED

PRODUCT OPTIONS

The following options are available for an upcharge

Premium Texture Colors from Forms+Surfaces Powdercoat Chart
Custom RAL powdercoat color

TO ORDER SPECIFY: Quantity, powdercoat color and color temperature.