



KNIGHT™ PEDESTRIAN

PRODUCT DATA



PRODUCT & PRICING INFO

 **STREETSCAPES**
303.398.7040 STREET-SCAPES.COM

FORMS+SURFACES®



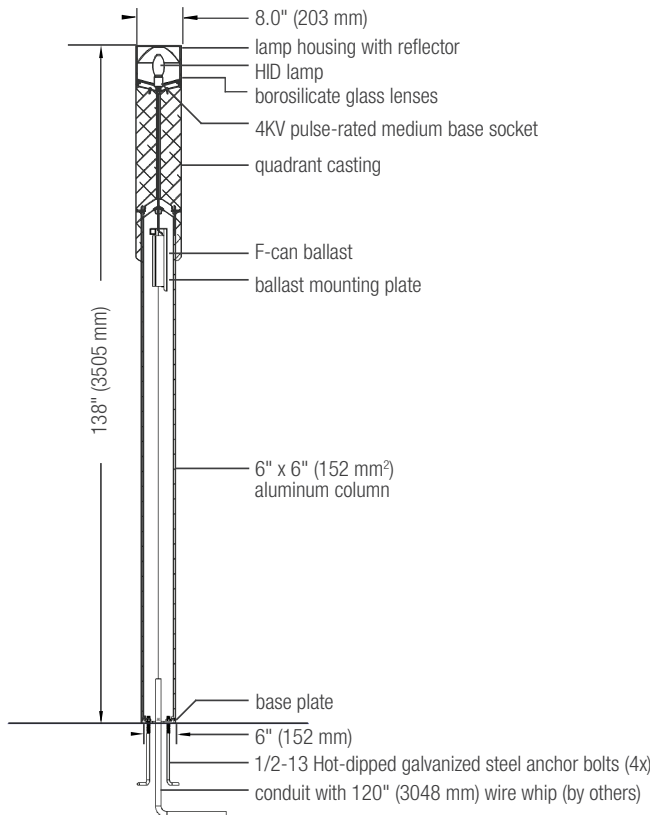
Knight Pedestrian Lighting combines rustproof construction, a unique geometric design, and the striking aesthetic of the rest of the Knight family. Available with a range of HID lamping options, fixtures consist of a robust square column with the light source positioned above a beautifully detailed quadrant casting. Standard Knight Pedestrian Lighting fixtures have a symmetrical lighting pattern; head assemblies can also be configured for asymmetrical light distribution, if desired.

MATERIAL & CONSTRUCTION DETAILS

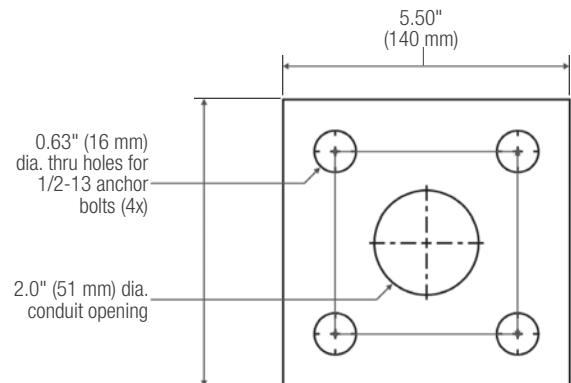
INSTALLATION & MAINTENANCE

COLUMN	FINISH	LAMP	INSTALLATION
<ul style="list-style-type: none"> Column is 6" x 6" square (152 mm x 152 mm square) extruded aluminum with rounded corners. Standard height is 138" (3505 mm). Custom heights down to a minimum of 120" (3048 mm) are available on a custom basis. 	<ul style="list-style-type: none"> For column and head powdercoat options see the Forms+Surfaces Powdercoat Chart for details. Custom RAL colors are available for an upcharge. Quadrant castings are Aluminum Texture powdercoat with polished outer edges. All quadrant casting surfaces are clear-coated. Due to the inherent nature of metal castings, gloss powdercoats are not offered for cast components. 	<ul style="list-style-type: none"> Standard lamp option is 150W metal halide. See lamp information on page 2. 	<ul style="list-style-type: none"> 3/8" stainless steel base plate with 1/2"-13x18" galvanized steel J-bolt anchors. Installation of a surge protector as part of each units wiring is recommended. Necessary hardware is included. Templates available upon request.
HEAD	WEIGHT	BALLAST	MAINTENANCE
<ul style="list-style-type: none"> Aluminum quadrant casting with aluminum lamp housing and four borosilicate glass lenses. Lenses can be replaced with opaque shields for asymmetrical distribution, if required. 	<ul style="list-style-type: none"> 98 lbs (44 kg) 	<ul style="list-style-type: none"> F-can ballast, thermally protected, 120/227V, -30 °C starting temperature, class B sound rating. 	<ul style="list-style-type: none"> Metal surfaces can be cleaned as needed using a soft cloth or brush with warm water and a mild detergent. Avoid abrasive cleaners.

NOMINAL DIMENSIONS



BASE PLATE MOUNTING DETAIL





LAMP DESCRIPTIONS

LAMP	DESCRIPTION	BASE	COLOR TEMPERATURE	LUMINAIRE LUMENS*	B.U.G. RATING	ANSI
M150	150W metal halide	E26 medium	4,000	4436	B2-U3-G1	M102/E

*Luminaire lumens represents the absolute photometry for the luminaire, and indicates the lumens out of the entire fixture.

NOTE: Polar candela and isofootcandle plots can be found on the Lighthouse Bollard product page on our website.

CERTIFICATION

- UL and C-UL listed for wet locations.

ENVIRONMENTAL CONSIDERATIONS

- Please refer to the Knight Pedestrian Environmental Data Sheet for detailed environmental impact information.
- Knight Pedestrian has high recycled content and is highly recyclable.
- Standard powdercoat finishes are no-VOC; Non-standard powdercoat finishes are no- or low-VOC, depending on color.
- Low maintenance.

MODEL NUMBERS AND DESCRIPTIONS

MODEL	DESCRIPTION
LPKNI-HID	Knight Pedestrian, HID

PRODUCT OPTIONS

The following options are available for an upcharge

Premium Texture Colors from Forms+Surfaces Powdercoat Chart
Custom RAL powdercoat color

TO ORDER SPECIFY: Quantity, model, powdercoat color.