

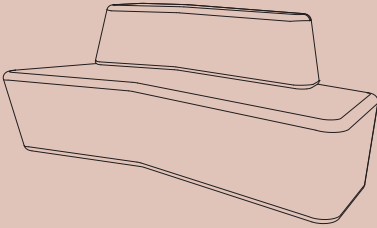
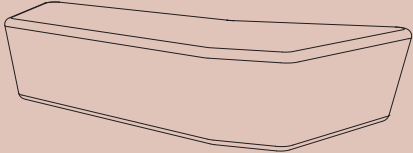
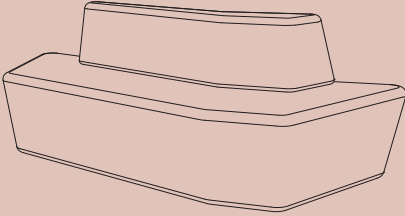
# Rune Bench

Designed by Jason Bird in 2013

Rune is seemingly chaotic and undecipherable at first. The amorphous shapes evoke a language of their own, speaking volumes about flexible arrangements and endless tessellation for customizing spaces. A series of precise angles and specifically configured edges allow the units to be spatially arranged in clusters which are scable and adaptable to suit any outdoor seating need. The language consists of a single character with three unique unit types - with your choice of base and back, in lightweight GFRC or LLD Polyethylene.



- Asymmetric modular design combines for a variety of configurations
- Available in three different configurations, with or without back
- Durable GFRC holds up to heavy abuse
- Back may be finished in alternate colors
- Lightweight LLD Polyethylene unit may be internally lit

	Rune R-02 (plastic)- 150 lbs. Rune RC-02 (GFRC)- 360 lbs. 75"L x 28.8"W x 30"H	
Rune R-03 (plastic)- 150 lbs. Rune RC-03 (GFRC)- 360 lbs. 75"L x 28.8"W x 30"H		Rune R-01 (plastic)- 115 lbs. Rune RC-01 (GFRC)- 270 lbs. 75"L x 28.8"W x 16.5"H