



**URBAN RENAISSANCE™** LITTER & RECYCLING RECEPTACLE



PRODUCT & PRICING INFO

**STREETSCAPES**  
303.398.7040 STREET-SCAPES.COM

**FORMS+SURFACES®**



## URBAN RENAISSANCE™ LITTER & RECYCLING RECEPTACLE

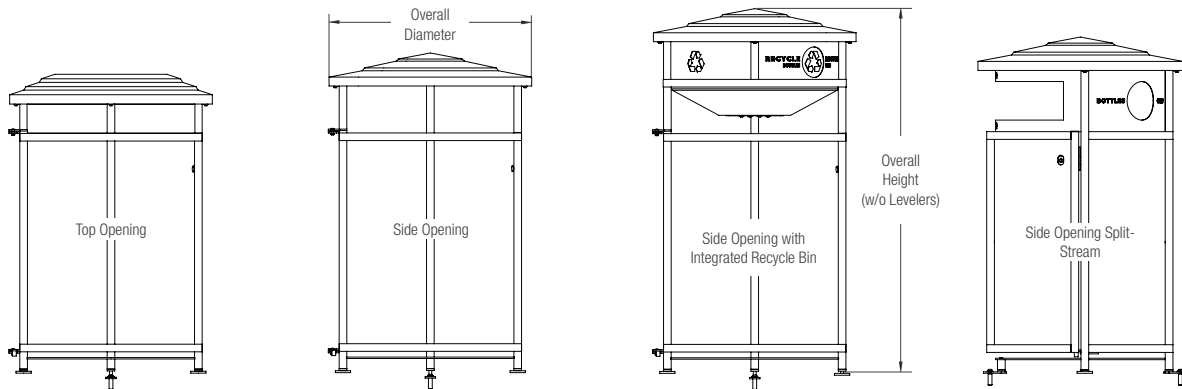
Urban Renaissance Litter & Recycling Receptacles combine classic urban architectural design with performance that meets the rigorous demands of modern city environments. Featuring corrosion-resistant stainless steel construction, this hardened, streetwise receptacle has been specifically designed to defend against abuse, graffiti, vandalism and theft. Five unique standard grillwork designs are available; custom grillwork can also be specified. With models ranging from basic litter receptacles to those utilizing innovative recycling mechanics, Urban Renaissance is an ideal solution for any city environment's litter & recycling needs.

### MATERIAL & CONSTRUCTION DETAILS

### INSTALLATION & MAINTENANCE

<b>FRAME &amp; GRILLWORK</b> <ul style="list-style-type: none"> <li>Receptacle frame is made of square tubular stainless steel with powdercoat finish.</li> <li>Grillwork is made of stainless steel sheet with perforated or formed designs.</li> <li>Standard patterns are Dallas, Fan, Updrop, Vertical and Vista (see page 2); custom designs available for an upcharge.</li> </ul>	<b>LID</b> <ul style="list-style-type: none"> <li>Lid is made of heavy gauge spun aluminum with an internal structural frame.</li> <li>Lids with sand-filled ash urns for cigarettes are available for an upcharge.</li> </ul>	<b>FINISHES</b> <ul style="list-style-type: none"> <li>See the Forms+Surfaces Powdercoat Chart for details. Custom RAL colors are available for an upcharge.</li> </ul>	<b>INSTALLATION</b> <ul style="list-style-type: none"> <li>Receptacles can be used freestanding or surface mounted.</li> <li>Anchors, levelers, and stainless steel mounting screws are provided when surface mounting is specified; levelers are supplied for freestanding units.</li> </ul>
<b>INTEGRATED RECYCLE BIN CONFIGURATION</b> <ul style="list-style-type: none"> <li>Receptacles with integrated recycle bins feature a spring-loaded "trap door" in the bottom of the recycle bin used to empty the bin or to allow non-recyclables to be flushed into the main receptacle below.</li> <li>Allows for emptying by regular maintenance personnel or, as encouraged by some users in urban environments, passersby may empty for scrap or redemption value.</li> </ul>	<b>SIDE ACCESS DOOR AND LATCH</b> <ul style="list-style-type: none"> <li>Receptacle opens in a clamshell fashion with half of the body serving as a swing-out door.</li> <li>Latches and hinges are stainless steel. Standard latch option is a lift latch; a security latch operated with a special tool is available for an upcharge.</li> </ul>	<b>LINERS</b> <ul style="list-style-type: none"> <li>Both single-stream and split-stream receptacles use independent, replaceable internal liners designed to be used with or without plastic litter bags.</li> <li>Liners are molded from durable black polyethylene with a UL94HB fire rating.</li> </ul>	<b>MAINTENANCE</b> <ul style="list-style-type: none"> <li>Metal surfaces can be cleaned as needed using a soft cloth or brush with warm water and a mild detergent. Avoid abrasive cleaners.</li> </ul>

### NOMINAL DIMENSIONS

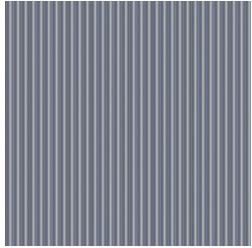


MODEL	OVERALL HEIGHT	OVERALL DIAMETER	OVERALL WEIGHT	CAPACITY
SLURB-36TO	38.6" (980 mm)	26.6" (676 mm)	94.1 lbs (42.67 kg)	36 gallons (136 liters)
SLURB-45TO	43.0" (1092 mm)	28.4" (721 mm)	114.7 lbs (52.03 kg)	45 gallons (170 liters)
SLURB-36SO	41.4" (1052 mm)	26.6" (676 mm)	85.4 lbs (38.71 kg)	36 gallons (136 liters)
SLURB-45SO	45.9" (1166 mm)	28.3" (719 mm)	108.0 lbs (48.97 kg)	45 gallons (170 liters)
SLURB-36RB	47.3" (1201 mm)	26.6" (676 mm)	107.3 lbs (48.67 kg)	36 gallons (136 liters)
SLURB-36SS	43.4" (1101 mm)	26.6" (676 mm)	88.5 lbs (40.14 kg)	36 gallons (136 liters)
SLURB-45SS	47.4" (1204 mm)	28.3" (719 mm)	111.3 lbs (50.48 kg)	45 gallons (170 liters)

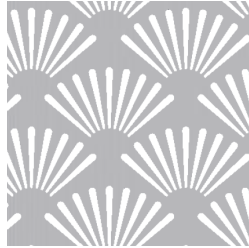


## URBAN RENAISSANCE™ LITTER & RECYCLING RECEPTACLE

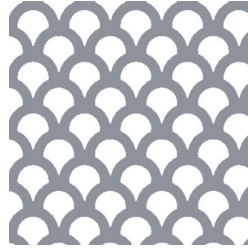
### STANDARD GRILLWORK DESIGN OPTIONS (Not to scale)



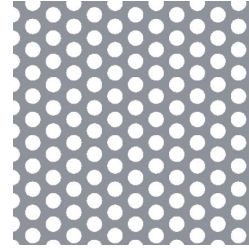
Dallas



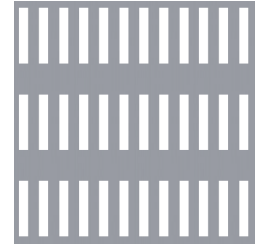
Fan



Updrop



Vista



Vertical

### ENVIRONMENTAL CONSIDERATIONS

- Please refer to the Urban Renaissance Environmental Data Sheet for detailed environmental impact information.
- Urban Renaissance has up to 68% recycled content.
- All components are fully recyclable.
- Stainless steel construction ensures a long product life cycle.
- Standard powdercoat finishes are no-VOC; non-standard powdercoat finishes are no- or low-VOC, depending on color.
- Urban Renaissance can make an important contribution to local recycling programs.
- Low maintenance.

### MODEL NUMBERS AND DESCRIPTIONS

MODEL	DESCRIPTION
SLURB-36TO	Urban Renaissance, 36-gallon, top opening litter receptacle
SLURB-45TO	Urban Renaissance, 45-gallon, top opening litter receptacle
SLURB-36SO	Urban Renaissance, 36-gallon, side opening litter receptacle, dome lid
SLURB-45SO	Urban Renaissance, 45-gallon, side opening litter receptacle, dome lid
SLURB-36RB	Urban Renaissance, 36-gallon, side opening litter & recycling receptacle, integrated recycle bin, dome lid
SLURB-36SS	Urban Renaissance, 36-gallon, side opening, split-stream litter & recycling receptacle, dome lid
SLURB-45SS	Urban Renaissance, 45-gallon, side opening, split-stream litter & recycling receptacle, dome lid

### PRODUCT OPTIONS

The following options are available for an upcharge

Premium Texture Colors from Forms+Surfaces Powdercoat Chart	Upgrade lift latch to tool-operated security latch
Custom RAL powdercoat color	Upgrade dome lid to sand-filled ash lid
Custom grillwork design	

**TO ORDER SPECIFY:** Quantity, model, grillwork, powdercoat color, liner with or without drain holes, dome lid or ash lid for side opening litter receptacles.