



# FACTOR™ TABLE

PRODUCT DATA



PRODUCT & PRICING INFO

**STREETSCAPES**  
303.398.7040 STREET-SCAPES.COM

**FORMS+SURFACES®**



# FACTOR™ TABLE

PRODUCT DATA

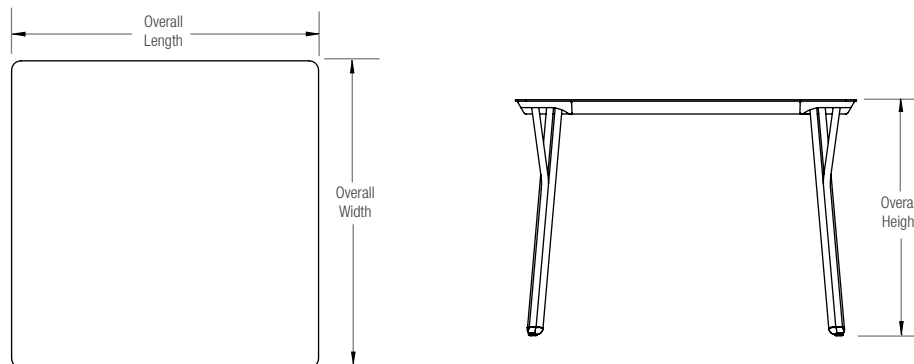
**Factor Tables** and Chairs unite clean lines, simple geometry, and go-anywhere versatility. This highly configurable family plays on the idea that multiple individual factors contribute to making a whole. In this case, you can select and combine different Factor factors in different ways to meet project-specific goals. Square tables with a choice of wood or aluminum tops, a variety of chair materials and styles, and standard and custom powdercoat colors are among the options that make customization easy. In addition, the line's refined good looks and solid construction add up to beautifully durable designs that can be used across a property – from indoors to outdoors and anywhere in between.

## MATERIAL & CONSTRUCTION DETAILS

## INSTALLATION & MAINTENANCE

TABLE FRAMES	TABLE TOP OPTIONS	INSTALLATION
<ul style="list-style-type: none"> <li>Table frames are powdercoated stainless steel and aluminum.</li> <li>See the Forms+Surfaces Powdercoat Chart for details. Custom RAL colors are available for an upcharge.</li> <li>All Forms+Surfaces powdercoat colors have been formulated to be ultra-durable for improved long-term wear and resistance to weathering. Our powdercoat colors are also anti-graffiti, allowing marks from paint, permanent markers, and dirt to be easily removed.</li> </ul>	<ul style="list-style-type: none"> <li>Table tops are available in a choice of materials.</li> <li>Aluminum table tops are available with or without the Verve Perforation pattern and are powdercoated the same color as the frame.</li> <li>Wood tops are available in FSC® 100% Cumaru or FSC® 100% Teak hardwood slats with a natural oiled finish that enhances the wood's rich color. (FSC License Code: FSC-C004453)</li> <li>Table tops may be specified with or without a center hole to receive a 1.5" (38 mm) - 1.75" (44.5 mm) diameter umbrella pole. When an umbrella hole is specified, a nylon collar and cap are included.</li> </ul>	<ul style="list-style-type: none"> <li>Tables can be freestanding with nylon leveling feet or surface mounted.</li> <li>Surface mount models include stainless steel hardware.</li> </ul>
		MAINTENANCE
		<ul style="list-style-type: none"> <li>Metal surfaces can be cleaned as needed using a soft cloth or brush with warm water and a mild detergent. Avoid abrasive cleaners.</li> <li>FSC® 100% Cumaru and FSC® 100% Teak hardwood can be maintained by re-oiling as needed with Penofin® hardwood finish or similar products.</li> </ul>

## NOMINAL DIMENSIONS



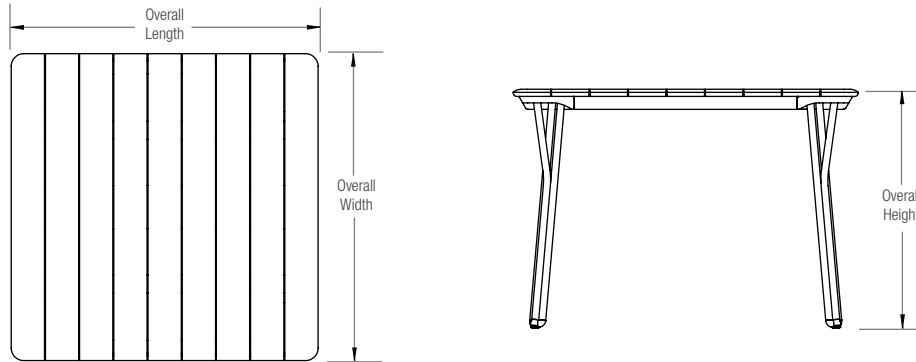
MODEL	OVERALL WIDTH	OVERALL LENGTH	OVERALL HEIGHT	OVERALL WEIGHT
STFAC-C4242A	42.63" (1083 mm)	42.63" (1083 mm)	29.5" (749 mm)	82 lbs (31.2 kg)

See Page 3 for complete model number descriptions.



# FACTOR™ TABLE

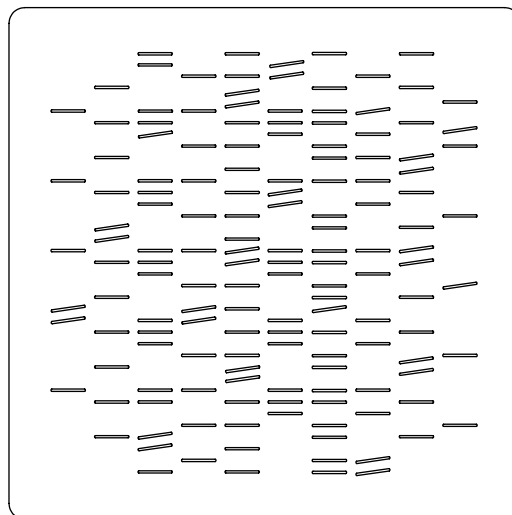
## NOMINAL DIMENSIONS, CONTINUED



MODEL	OVERALL WIDTH	OVERALL LENGTH	OVERALL HEIGHT	OVERALL WEIGHT
STFAC-C4242C	42.63" (1083 mm)	42.63" (1083 mm)	29.5" (749 mm)	118 lbs (53.5 kg)
STFAC-C4242T	42.63" (1083 mm)	42.63" (1083 mm)	29.5" (749 mm)	93 lbs (42.2 kg)

See Page 3 for complete model number descriptions.

## VERVE PERFORATION PATTERN - ALUMINUM TABLE TOP



## ENVIRONMENTAL CONSIDERATIONS

- Factor Tables have high recycled content and are highly recyclable.
- Standard powdercoat finishes are no-VOC; non-standard powdercoat finishes are no- or low-VOC, depending on color.
- Low maintenance.



## FACTOR™ TABLE

### MODEL NUMBERS AND DESCRIPTIONS

MODEL	DESCRIPTION
STFAC-C4242A	Factor Table, 42" x 42", powdercoated aluminum top
STFAC-C4242C	Factor Table, 42" x 42", FSC® 100% Cumaru hardwood slat top
STFAC-C4242T	Factor Table, 42" x 42", FSC® 100% Teak hardwood slat top

### PRODUCT OPTIONS

The following options are available for an upcharge

Umbrella hole	Custom RAL powdercoat color
---------------	-----------------------------

**TO ORDER SPECIFY:** Quantity, model, powdercoat color, table top material, and freestanding or surface mount.