

DERO DECKER



Patent #8,950,592

The Next Level of Parking

The Dero Decker takes bike parking to the next level – literally. By stacking bikes on a two-tiered system, capacity doubles. Unlike other two-tier systems our lift-assist top trays slide down inches from the ground, thus requiring only minimal lifting of the bike into the tray. The Dero Decker has a front wheel safety locking lever and tray dampers to provide safe lowering of upper trays. The near vertical lowered trays also reduce the required aisle space, giving the Dero Decker the smallest footprint on the market.

PRODUCT & PRICING INFO

 **STREETSCAPES**
303.398.7040 STREET-SCAPES.COM

DERO DECKER



- Sturdy red handle grips
- Lift-assist trays
- Dampers for safe lowering of trays
- Spring loaded levers hold bikes firmly in place
- U-lock compatible
- Smallest footprint
- Smooth and silent operation
- Simple installation
- Low maintenance
- Specially designed fat bike trays available



FINISH OPTIONS

Galvanized



Powder Coat

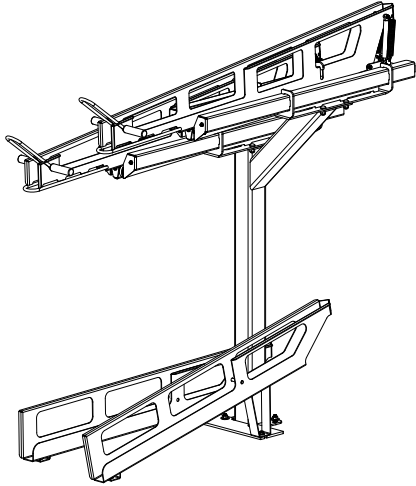
White	Black	Light Gray RAL 7042	Deep Red RAL 3003	Yellow RAL 1023
CNH Bright Yellow	Orange RAL 2004	Blue RAL 5005	Sky Blue RAL 5015	Hunter Green RAL 6005
Light Green RAL 6018	Green RAL 6016	Sepia Brown RAL 8014	Bronze	Silver 9007
Dark Purple	Flat Black	Wine Red RAL 3005	Beige RAL 1001	Iron Gray 7011

PRODUCT & PRICING INFO

STREETSCAPES
303.398.7040 STREET-SCAPES.COM

DERO DECKER

Submittal Sheet



CAPACITY 4 bikes per unit.

MATERIALS Uprights: 4" 11g square tube
Upright base: 1/4" plate
Cantilevers: 11g plate
Cantilever base: 1/4" plate
Trays: 11g plate

FINISHES

Galvanized
An after fabrication hot dipped galvanized finish is our standard option.

Powder Coat
Our powder coat finish assures a high level of adhesion and durability by following these steps:
1. Sandblast
2. Epoxy primer electrostatically applied
3. Final thick TGIC polyester powder coat

MOUNT OPTIONS

Surface
Each upright has one 1/4" plate feet that accept 1/2" wedge anchors

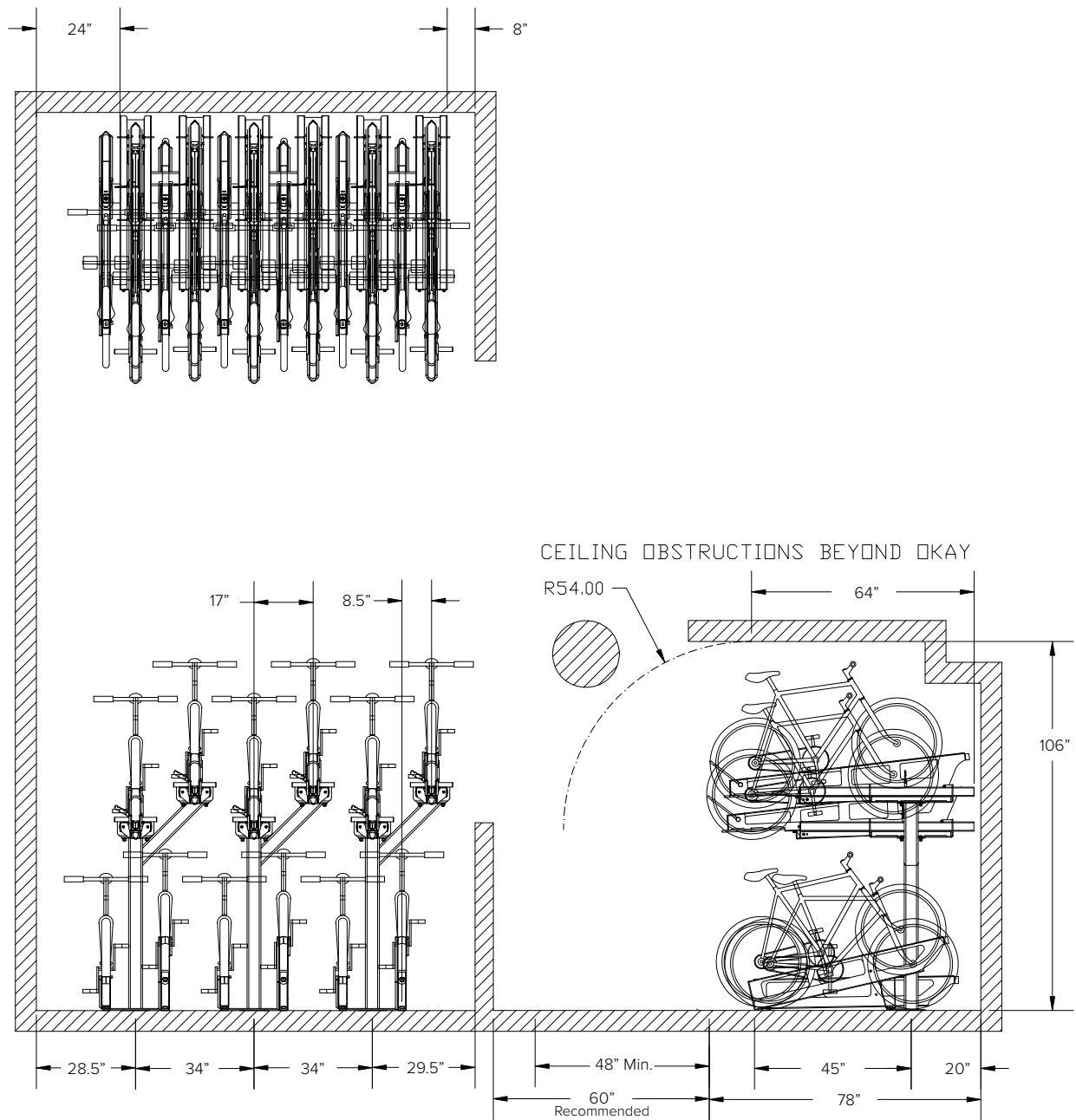
SETBACKS See following page

PRODUCT & PRICING INFO

 **STREETSCAPES**
303.398.7040 STREET-SCAPES.COM

DERO DECKER

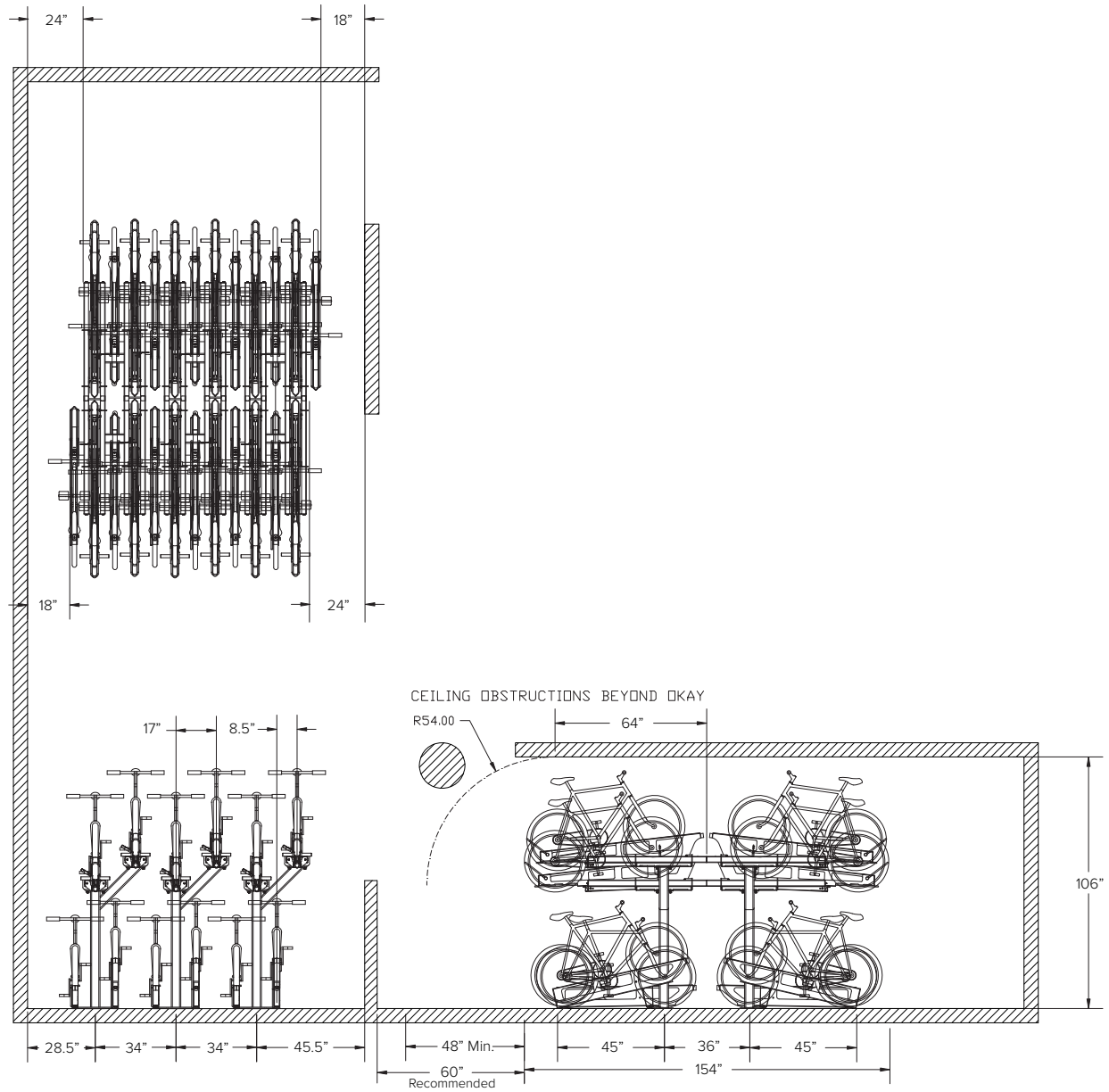
Installation Instructions – Setbacks, Single Sided



PRODUCT & PRICING INFO

DERO DECKER

Installation Instructions – Setbacks, Double Sided



PRODUCT & PRICING INFO

STREETSCAPES
303.398.7040 STREET-SCAPES.COM

DERO DECKER

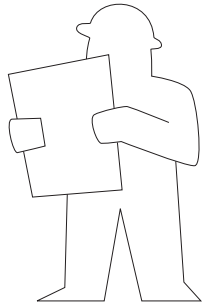
Installation Instructions

TOOLS NEEDED

Hammer drill
Masonry bit, 3/8", 1/2"
Hammer
Socket wrench
Sockets, 9/16", 3/4"
Socket extension, 4-6"

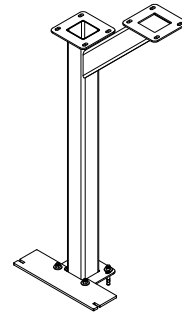
Hex wrench, 3/16"
Tape measure
Chalk line
Marker
Level

1



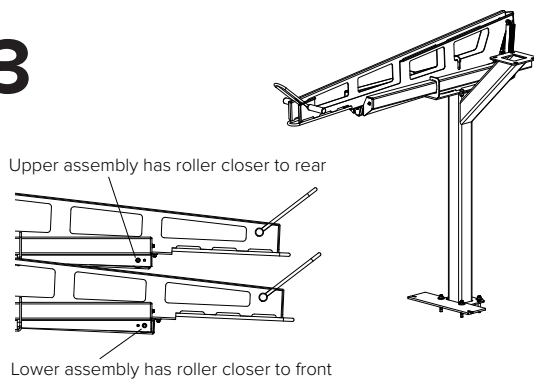
Refer to setback diagrams before installation to ensure sufficient space. Installation surface must be concrete of suitable strength. If surface is not level, contact Dero representative for workable solution.

2



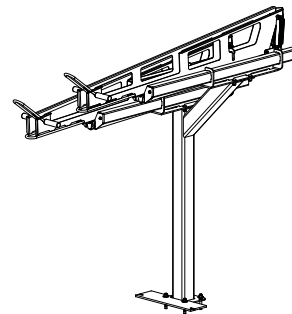
Place the Uprights in position and secure with (4) 1/2" x 3.75" wedge anchors. At least 1.25" of wedge anchor threads should remain above the concrete. The Lower Tray Mount should be placed on the front side of the Upright and secured with the existing wedge anchors.

3



Place the lower Cantilever Assembly on the lower Upright position and secure with (4) 1/2" x 1.25" carriage bolts, 1/2" washers, and 1/2" nylock nuts.

4



Do the same for the upper Cantilever Assembly.

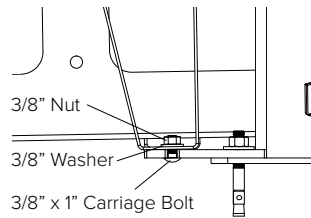
PRODUCT & PRICING INFO

 **STREETSCAPES**
303.398.7040 STREET-SCAPES.COM

DERO DECKER

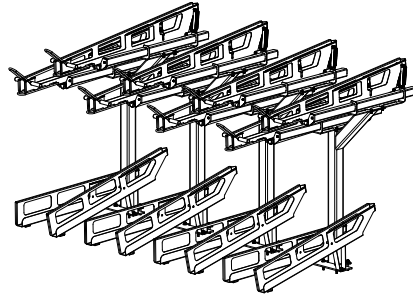
Installation Instructions

5



Place the bottom Lower and Upper Trays in position and secure at the rear with (1) 3/8" x 1" carriage bolt, 3/8" washer, and 3/8" nut each. Secure at the front with (1) 3/8" x 3" wedge anchor each.

6



Continue to the next section and repeat the previous steps.

PRODUCT & PRICING INFO

 **STREETSCAPES**
303.398.7040 STREET-SCAPES.COM