

DERO DUPLEX



Double Up

The Dero Duplex doubles the capacity of your bike parking area with secure, efficient, and orderly storage. Its staggered design means that bikes enter and exit easily without entanglement. Sturdy trays with high sides keep bikes from slipping off while loading or unloading and also make the Duplex compatible with most standard u-locks.

Patent D768,545

PRODUCT & PRICING INFO

 **STREETSCAPES**
303.398.7040 STREET-SCAPES.COM

DERO DUPLEX



- Modular design fits nearly any space
- U-lock compatible
- Easy assembly
- Double your capacity



FINISH OPTIONS

Galvanized



Stainless



Powder Coat

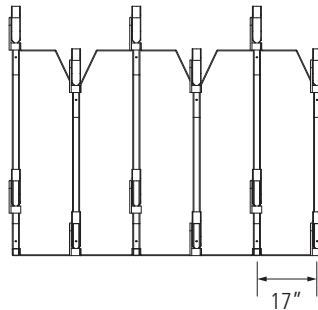
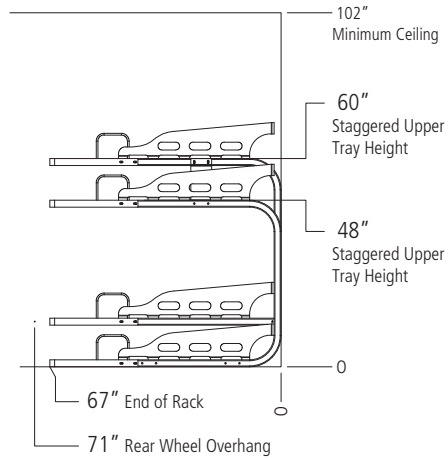
White	Black	Light Gray RAL 7042	Deep Red RAL 3003	Yellow RAL 1023
CNH Bright Yellow	Orange RAL 2004	Blue RAL 5005	Sky Blue RAL 5015	Hunter Green RAL 6005
Light Green RAL 6018	Green RAL 6016	Sepia Brown RAL 8014	Bronze	Silver 9007
Dark Purple	Flat Black	Wine Red RAL 3005	Beige RAL 1001	Iron Gray 7011

PRODUCT & PRICING INFO

STREETSCAPES
303.398.7040 STREET-SCAPES.COM

DERO DUPLEX

Submittal Sheet



CAPACITY

Varies per configuration
Minimum 6 bike system required for stability

MATERIALS

Main frame tube: 2" 11g square tube
Connector plates: 1/4" plate
Bike trays: 11g plate

FINISHES

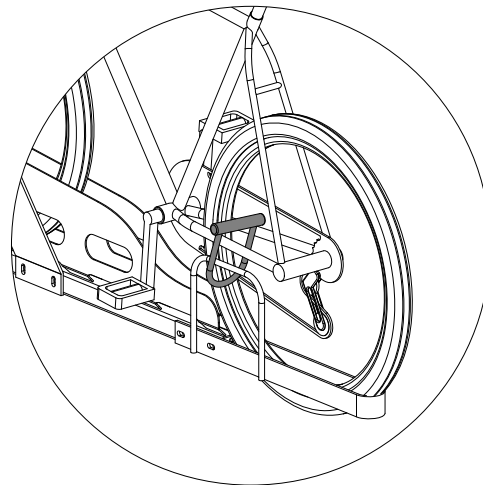
- Galvanized**
An after fabrication hot dipped galvanized finish is our standard option.
- Powder Coat**
Our powder coat finish assures a high level of adhesion and durability by following these steps:
 1. Sandblast
 2. Epoxy primer electrostatically applied
 3. Final thick TGIC polyester powder coat
- Stainless**
304 grade stainless steel material with external surfaces polished to a satin finish. All surfaces passivated.

MOUNT OPTIONS

- Surface**
Each connector plate accepts 3/8" wedge anchors.

SETBACKS

See diagrams on following page



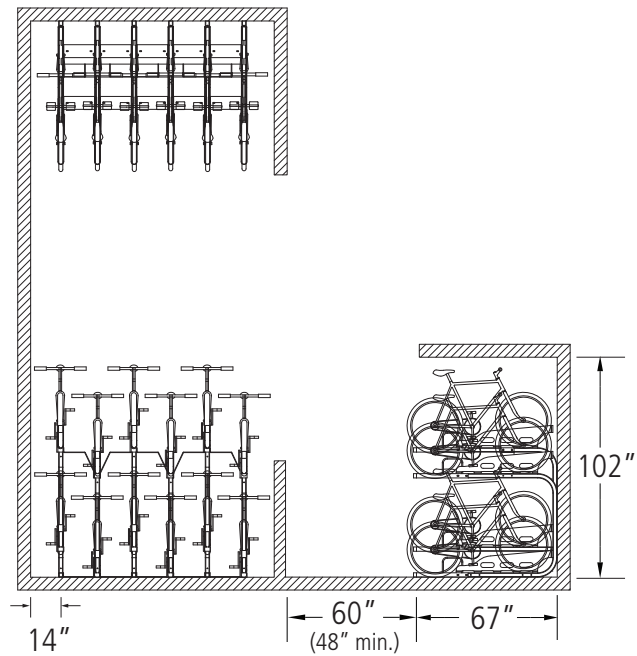
U-lock compatible

PRODUCT & PRICING INFO

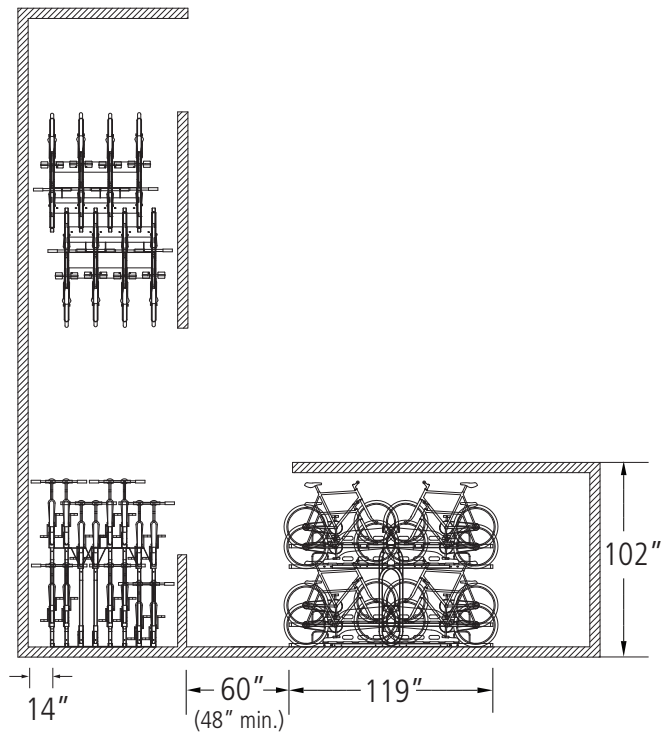
DERO DUPLEX

Installation Instructions – Setbacks for Configurations

Single sided setbacks



Double sided setbacks

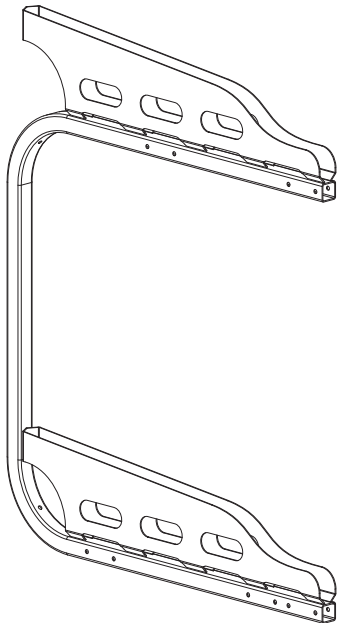


PRODUCT & PRICING INFO

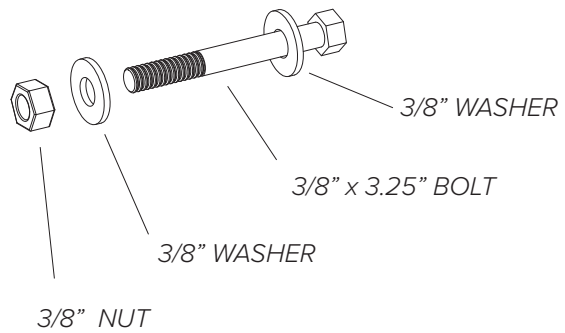
STREETSCAPES
303.398.7040 STREET-SCAPES.COM

DERO DUPLEX

Installation Instructions – Parts List



DUPLEX LOWER UNIT

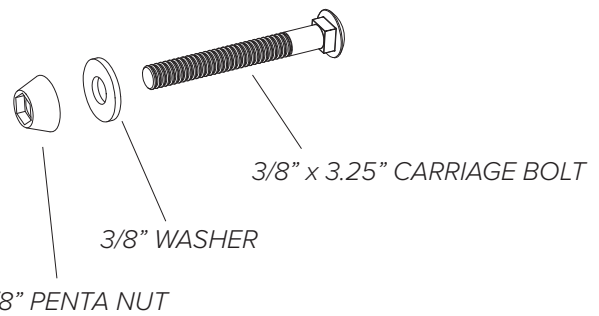


3/8" NUT

3/8" WASHER

3/8" x 3.25" BOLT

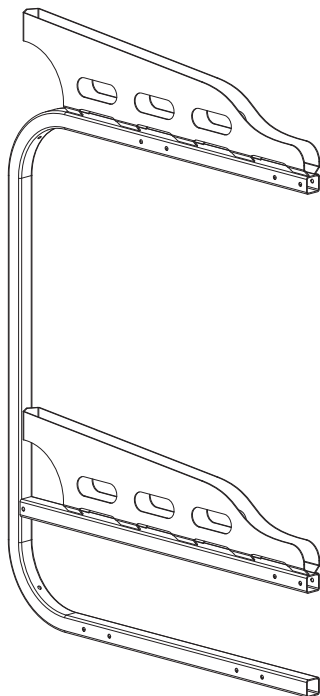
3/8" WASHER



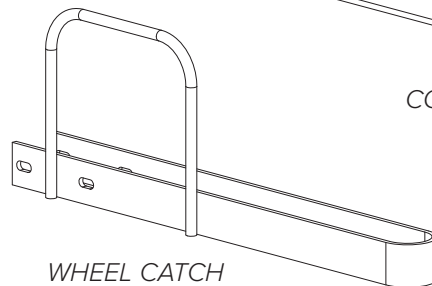
3/8" PENTA NUT

3/8" WASHER

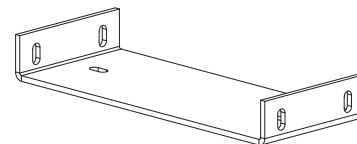
3/8" x 3.25" CARRIAGE BOLT



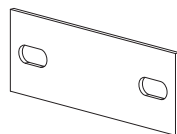
DUPLEX UPPER UNIT



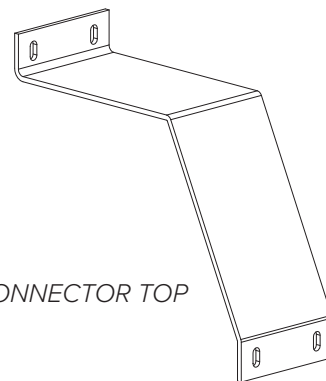
WHEEL CATCH



CONNECTOR BASE



WHEEL CATCH SPACER



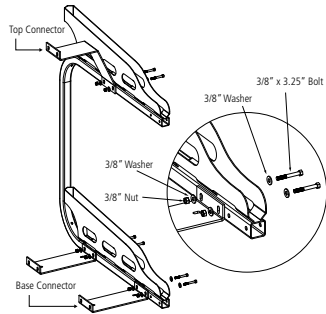
CONNECTOR TOP

PRODUCT & PRICING INFO

DERO DUPLEX

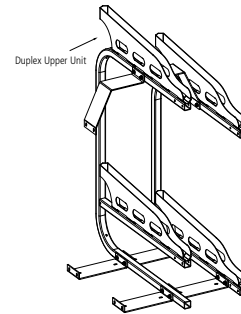
Installation Instructions

1



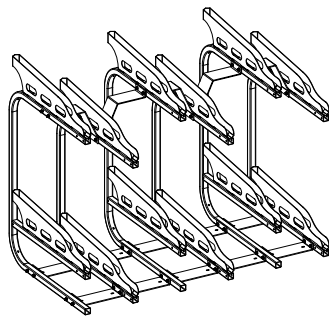
Place the first DUPLEX LOWER UNIT and attach CONNECTORS with hardware.

2



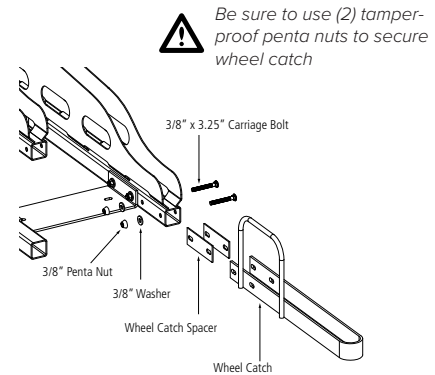
Drill the holes in accordance with the specifications shipped with the anchors. Make sure the holes are at least 3" away from any cracks in the base material.

3



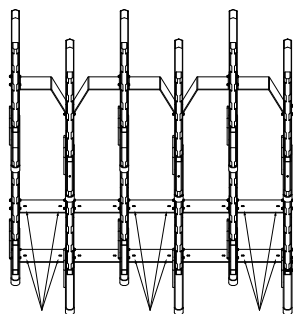
Continue repeating steps 1 and 2 as necessary.

4



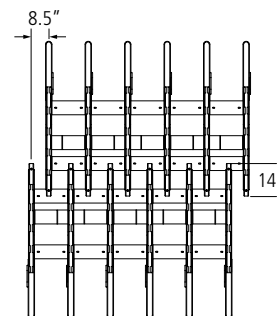
Place WHEEL CATCH and SPACERS and attach with hardware. Repeat for all trays.

5



Secure the DUPLEX ASSEMBLY with 3/8" WEDGE ANCHORS. Secure at the first and last pair of bases and then every other pair of bases.

6



For double sided assemblies, simply place two single sided assemblies back to back with a 14" overlap.

PRODUCT & PRICING INFO

STREETSCAPES
303.398.7040 STREET-SCAPES.COM