

WALL RACK



Parking for Bikes, Too!



Bike owners like this option as well for garage and home storage. The rubber coating keeps bikes from getting scratched. Two bikes can be hung up and locked securely, as the Wall Rack is fully U-Lock compatible. The Wall Rack keeps bikes off the ground and out of the way, and provides a secure, space-efficient way to store them.

WALL RACK



Shares Space Nicely!

The Wall Rack is an ideal solution for indoor car parking stalls



FINISH OPTIONS

PVC Dip

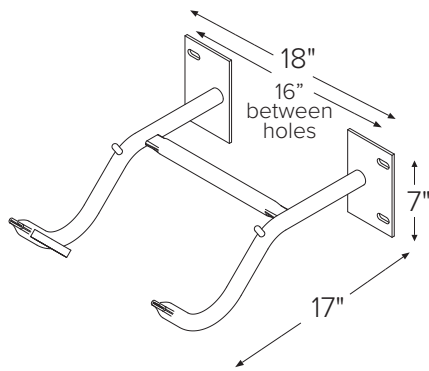


PRODUCT & PRICING INFO

 **STREETSCAPES**
303.398.7040 STREET-SCAPES.COM

WALL RACK

Submittal Sheet



CAPACITY 2 Bikes

MATERIALS 1" OD 11 gauge tube

FINISHES Black Rubber Dip (plastisol)

MOUNT OPTIONS

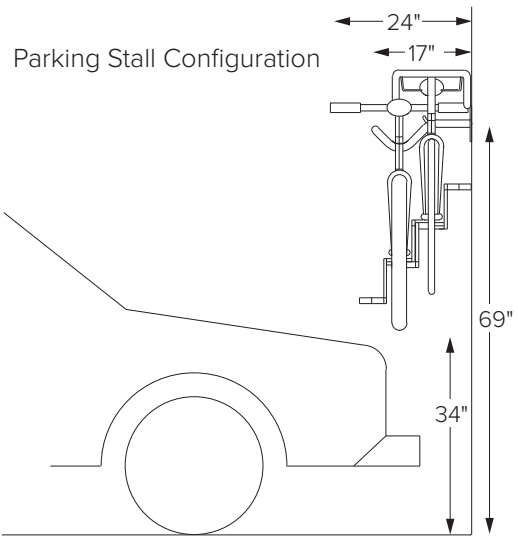
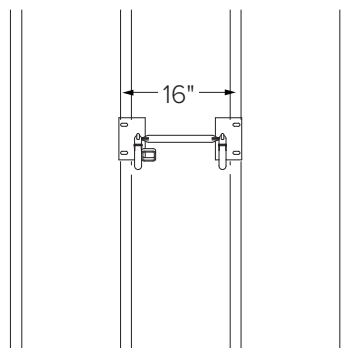
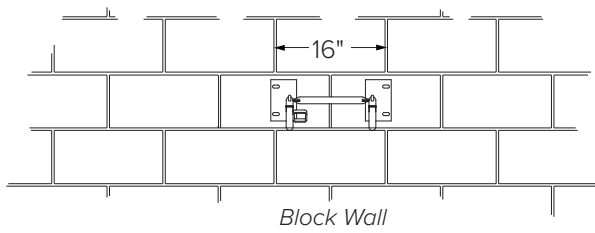
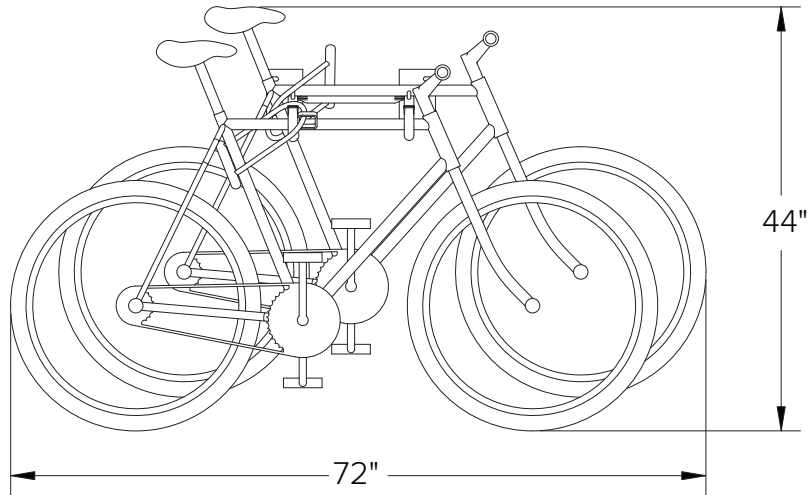
Wall Mount
Wall mount has two 3.75"x6" foot plates set 16" apart with 4 fasteners. Can be set into concrete block, solid concrete, bricks, wood studs and other base materials

PRODUCT & PRICING INFO

 **STREETSCAPES**
303.398.7040 STREET-SCAPES.COM

WALL RACK

Setbacks

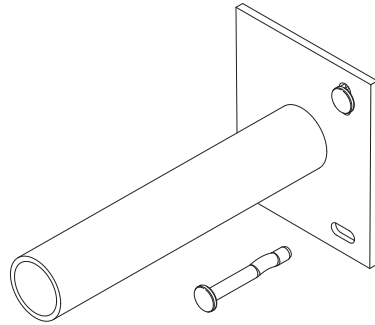


Wall Racks cannot be stacked on top of each other

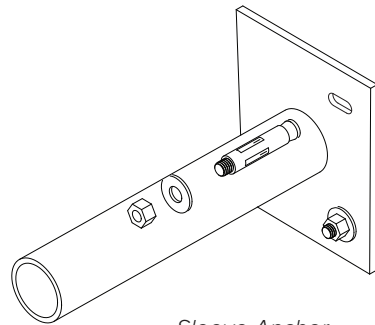
PRODUCT & PRICING INFO

WALL RACK

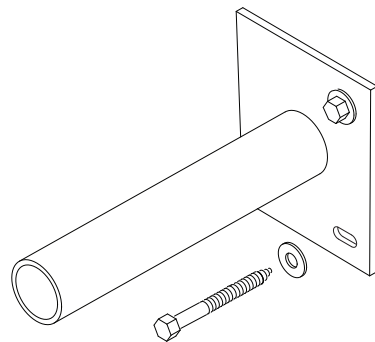
Installation Instructions



Concrete Spike



Sleeve Anchor



*Lag Screw
(wood install)*



Titen Anchor



Wedge Anchor

PRODUCT & PRICING INFO

 **STREETSCAPES**
303.398.7040 STREET-SCAPES.COM

WALL RACK

Installation Instructions

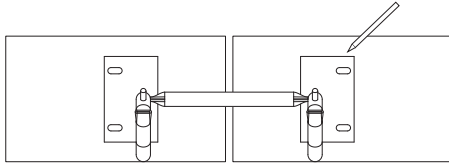
TOOLS NEEDED

Tape Measure
Marker or Pencil
Masonry Drill Bit
Drill (Hammer drill recommended)
Hammer
Wrench or ratchet 9/16"
Level

RECOMMENDED BASE MATERIAL

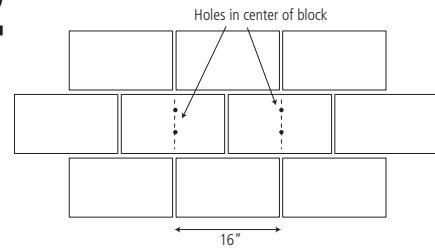
Solid concrete is the best base material. Brick, block, and wood stud walls may be acceptable. Metal stud walls are not an acceptable material for installation. Before installing make sure nothing is behind the wall that could be damaged by drilling and that the base material is strong enough to support a fully loaded rack. Tell your Dero representative what kind of base material you are installing the Wall Rack into so the proper anchors can be shipped with the rack.

1



Place rack against wall, lining up the holes with the center of the concrete block. Mark holes and lower rack.

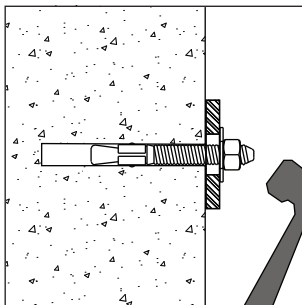
2



Sleeve anchors: Drill holes 2" deep with 1/2" diameter drill bit.
Wedge anchors: Drill holes 3" deep with 3/8" diameter drill bit.
Lag screws: Drill holes 3" deep with 9/32" diameter drill bit.
Titen anchor: Drill holes 3" deep with 3/8" diameter drill bit.
Concrete spikes: Drill holes 3" deep with 3/8" diameter drill bit.

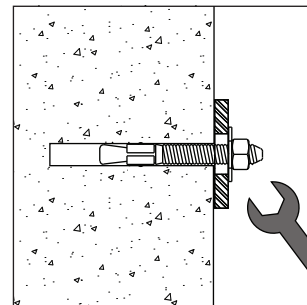
If installing more than one Wall Rack, mark holes for each rack individually as there may be slight differences in the placement of holes from rack to rack.

3



Place rack back into position against wall and tap anchors through holes in the rack and into the wall.

4



Tighten anchors

PRODUCT & PRICING INFO

STREETSCAPES
303.398.7040 STREET-SCAPES.COM